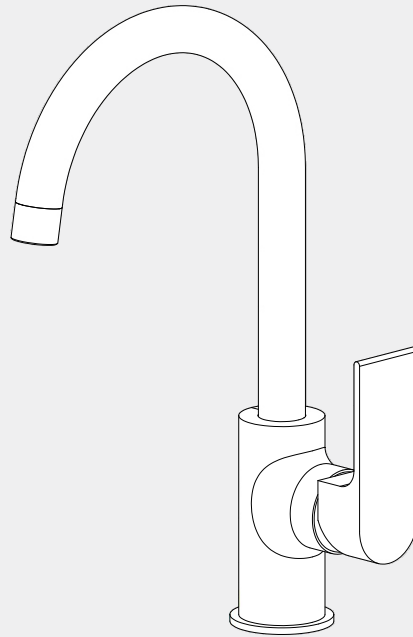


Bianca Kitchen Mixer Gooseneck Spout

Nero



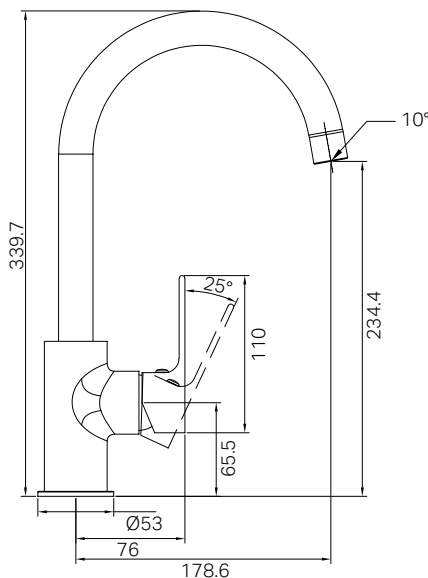
Lead Free



Versions:202405



Drawing



Specifications

Watermark License
WM-060073







Temperature Rating
Min 1°C - Max 75°C

Pressure Rating
Min 150kpa - Max 500kpa

Packaging Includes

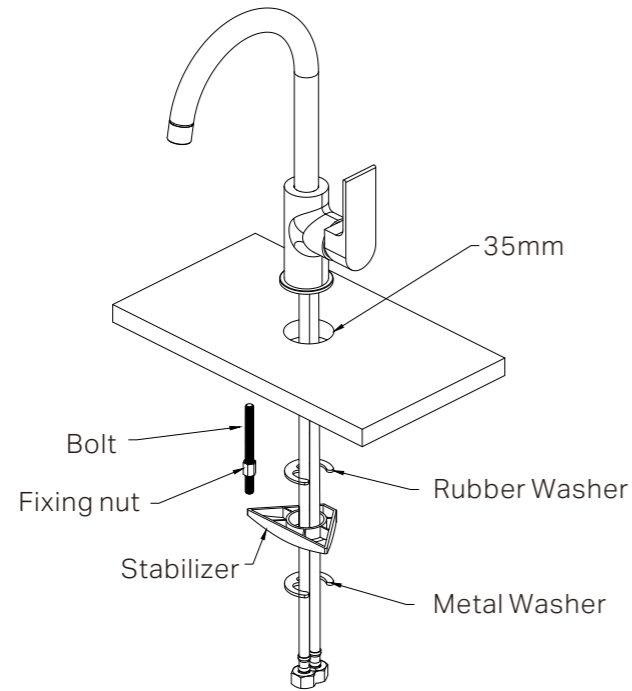
1x Kitchen Mixer
2x Flexible Hoses
1x Stabilizer
1x Base Plate
1x Installation Kit

Finish & SKU

 Chrome NR321506CH	 Gun Metal NR321506GM	 Brushed Nickel NR321506BN
 Matte Black NR321506MB	 Brushed Gold NR321506BG	 Brushed Bronze NR321506BZ

*Dimensions are nominal measurements only.

Installation Instruction



GENERAL INSTRUCTIONS:

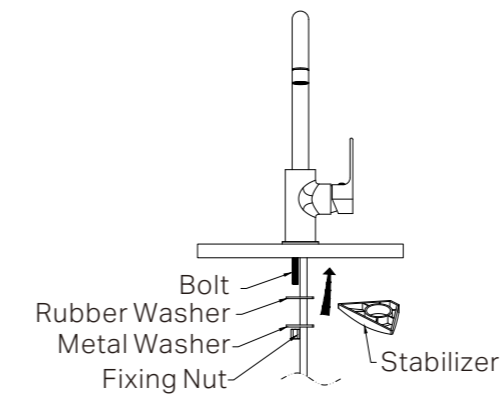
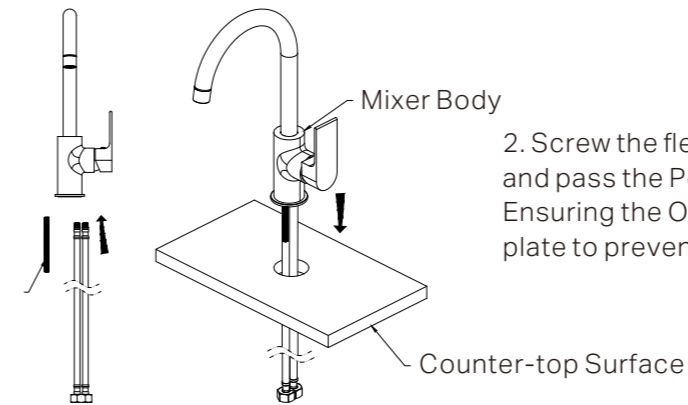
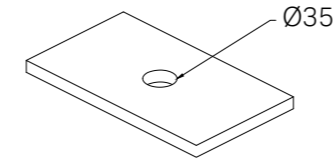
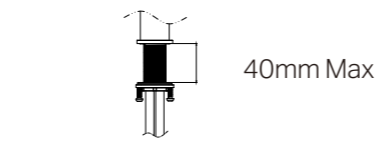
- This product must be installed by a licensed plumber. Ensure that your plumbing installation conforms to the Australian/New Zealand Standard AS/NZS 3500.
- All pipework must be thoroughly flushed prior to the installation of the mixer. In-line filters must be fitted on both hot and cold supplies to prevent foreign particles from damaging the ceramic cartridge.
- All outlets used primarily for personal hygiene must deliver water at a safe temperature in accordance with regional regulations.

NOTE:

- Do not hydrostatic test the installation with this mixer installed. Damage to the ceramic cartridge may occur.
- Do not remove the ceramic cartridge from the mixer when installing.
- After installation, all connections must be checked for leaks.
- This mixer is not recommended for use in uncontrolled heating systems such as wet-backs or solar heating units unless a suitable tempering valve is fitted.
- If limited water flow is experienced, locate aerator and filter washers and clean away foreign material as required.
- It is the responsibility of the plumber to ensure a waterproof seal is achieved between the product and mounting surface. If in doubt about the quality of the seal, remove the product and reinstall.

MAINTENANCE AND CARE:

- Regularly check the mixer and connections for signs of wear or leaks.
- Clean the tap with mild soapy water to maintain its appearance, avoiding harsh chemicals and abrasive materials that may damage the finish.



1. Pre-drill or create a hole with a diameter of 35mm at the proper location. Please note that the thickness of the surface should be between 3mm-40mm.

2. Screw the flexible hoses into mixer, then place the mixer body and pass the Pex hoses through the hole in the counter-top. Ensuring the O-RING sits within the bottom groove of the base plate to prevent water leakage through the cabinet.

3. Install the rubber, metal washers and bolt, if a stabilizer is required, install the stabilizer after positioning the rubber washer. Then tighten the fixing nut to bolt compressing the steel washer and rubber washer from the under-side of the counter. Avoid over tightening to prevent damage to the components.

4. Connect the Pex Hose to the corresponding hot and cold water supply valves. Tighten the Female cone nuts by hand (According to Pex hose instruction). Ensuring they are secure yet not overtightened to avoid thread damage.

5. Check all connections for leaks. If any fittings are leaking, shut off the water as necessary to stop the leaks. Contact the supplier for warranty claim. Refer to warranty page.

FINAL INSPECTION:

- Ensure the tap operates smoothly and that there are no leaks at the connections.
- Clean the area and the newly installed tap with a soft cloth to remove any installation residues.

Nero



Lead Free

