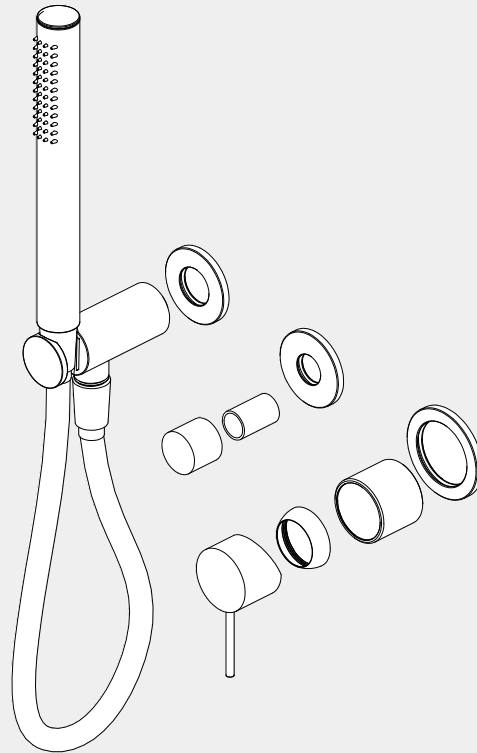


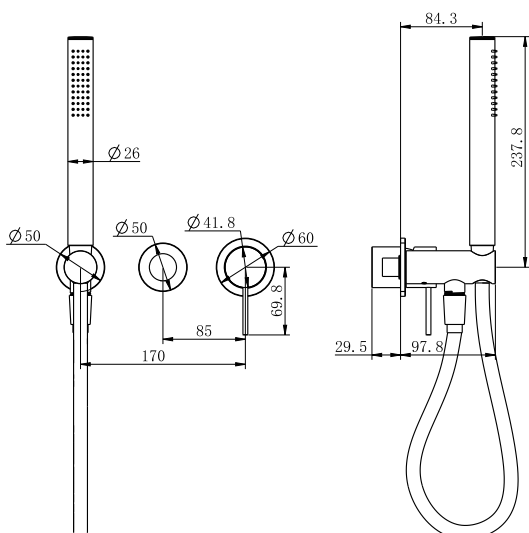
Mecca Shower Mixer Divertor System Separate Back Plate Trim Kits Only

Nero



Versions:202401

Drawing



Specifications

Watermark License

WM-060073

Temperature Rating

Min 1°C - Max 75°C

Pressure Rating

Min 150kpa - Max 500kpa

Packaging Includes

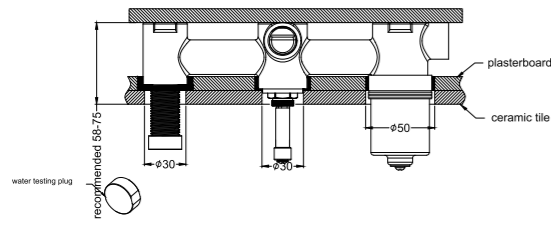
- 3x Plates
- 1x Handle
- 1x Cartridge Bell
- 1x Dressing Ring
- 1x Hand Shower
- 1x Hose
- 1x Bracket
- 1x Knob
- 1x Sleeve

Finish & SKU

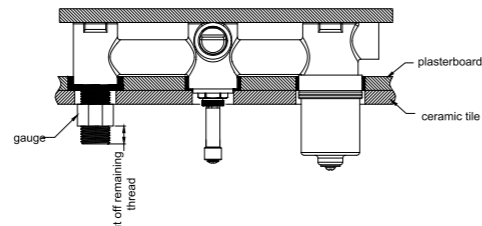
- | | | | |
|--|---|---|---|
|  Chrome
NR221912ftCH |  Gun Metal
NR221912ftGM |  Brushed Bronze
NR221912ftBZ |  Brushed Nickel
NR221912ftBN |
|  Matte Black
NR221912ftMB |  Brushed Gold
NR221912ftBG |  Matte White
NR221912ftMW | |

*Dimensions are nominal measurements only.

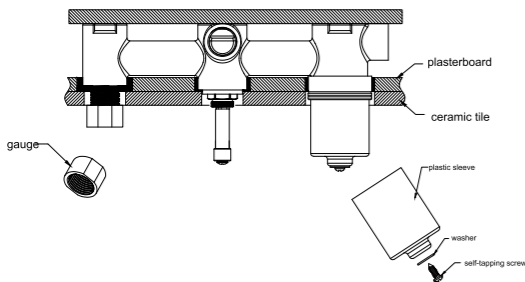
Installation instruction For Shower System Trim Kits Only



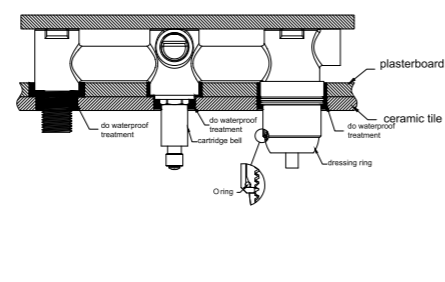
1. Drill a 50mm hole and two 30mm holes into the ceramic tile, then proceed to install the ceramic tile as shown in the diagram above.



3. Put gauge onto the outlet as above picture. And cut off remaining thread using

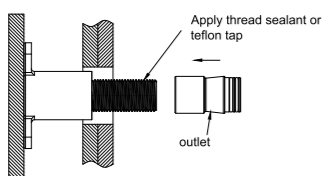


4. Remove the gauge, self-tapping screw, washer, and plastic sleeve in sequence.

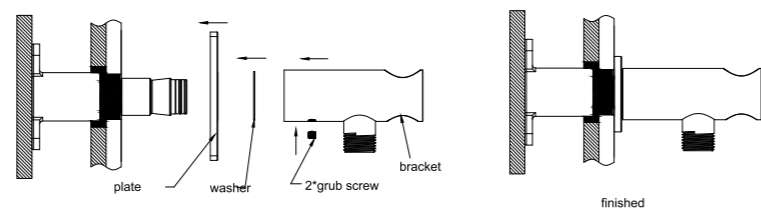


5. Insert the O ring to the dressing bell groove, and slide the dressing bell onto cartridge.

6. Apply waterproof treatment to the three areas indicated in the diagram above.

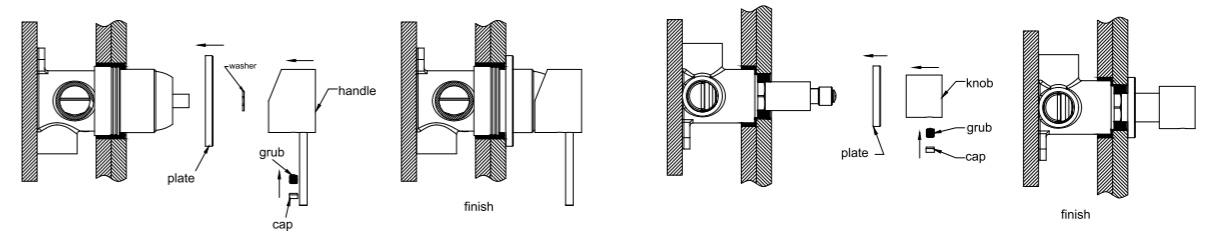


8. Apply thread sealant or Teflon tape to the outlet thread, then use a wrench to tighten the outlet onto it.

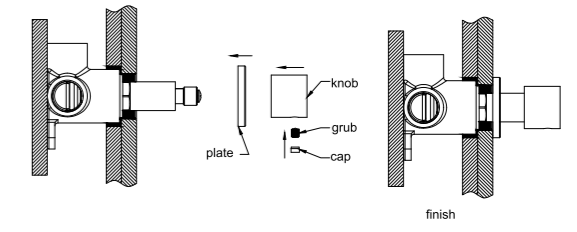


9. Install the plate, washer, and bracket onto the outlet body in the order shown above.

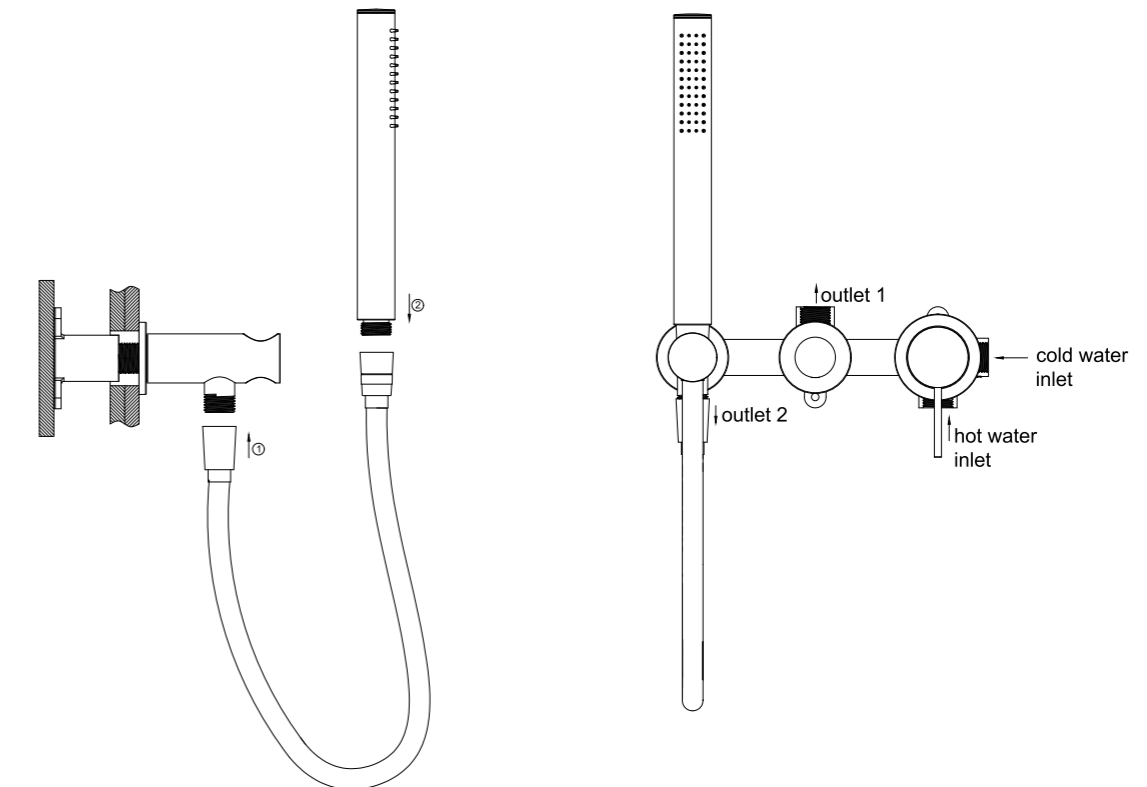
Installation instruction For Shower System Trim Kits Only



10. Slide plate onto body, attach the washer to the cartridge, position the handle, tighten it with a grub screw using an Allen key, and cap the grub screw hole.



11. Slide plate onto body, position the diverter knob, tighten it with a grub screw using an Allen key, and cap the grub screw hole.



12. Connect the hand shower to the bracket with the hose.

13. TEST & CHECK FOR LEAKS.

Nero

info@nerotapware.com.au
nerotapware.com.au

11-13 Buontempo Road
Carrum Downs Vic 3201

