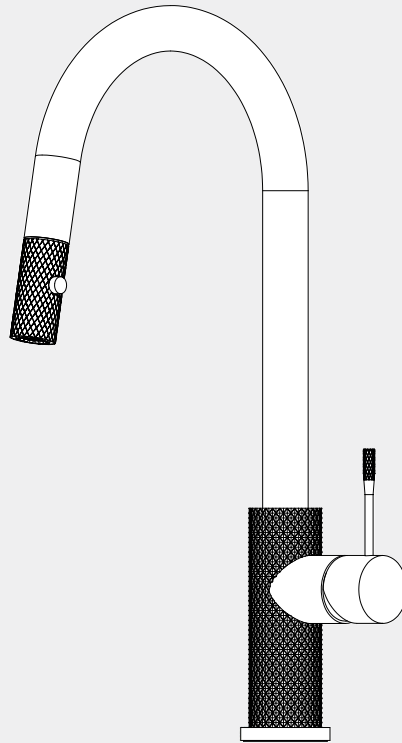


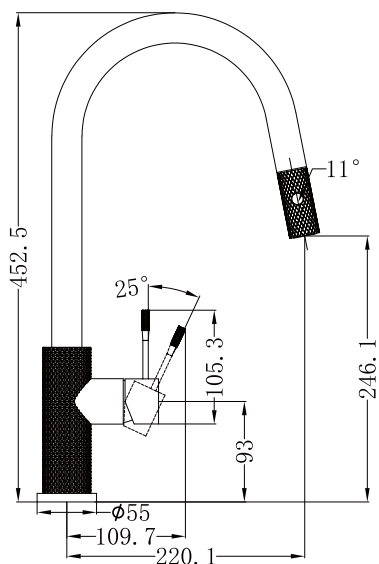
Opal Pull Out Sink Mixer With Vegie Spray Function

Nero



Versions:202401

Drawing



Specifications

Watermark License

WM-060073

Temperature Rating

Min 1°C - Max 75°C



Pressure Rating

Min 150kpa - Max 500kpa

Packaging Includes

- 1x Pull Out Sink Mixer
- 2x Flexible Hoses
- 1x Hose Tail
- 1x Counter Weight
- 1x Base Ring

Finish & SKU

- | | |
|---|---|
|  Brushed Bronze NR251908BZ |  Graphite NR251908GR |
|  Brushed Gold NR251908BG |  Brushed Nickel NR251908BN |

*Dimensions are nominal measurements only.

Nero

info@nerotapware.com.au
nerotapware.com.au

11-13 Buontempo Road
Carrum Downs Vic 3201

