
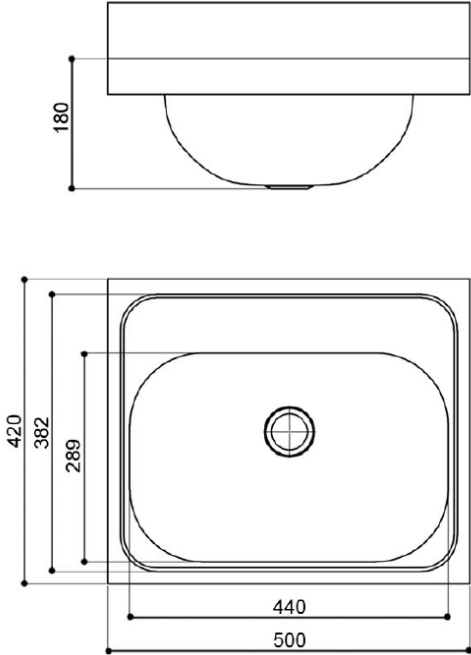


Project Wall Basin+Bracket

Product Image	Technical Specification
	

Description	Attributes
<p>Project Wall Basin+Bracket 500x420mm Satin SS</p> <p>NS602800 Satin SS</p>	<ul style="list-style-type: none"> • Wall hung mounting • SUS304 Stainless Steel • Satin finish • No tap hole

*All dimensions are in millimeters and are subject to normal manufacturing variations. Actual dimensions should be checked prior to installation. Neko pursues a policy of continuing improvement in design and performance of its products. The right is therefore reserved to vary specifications without notice.