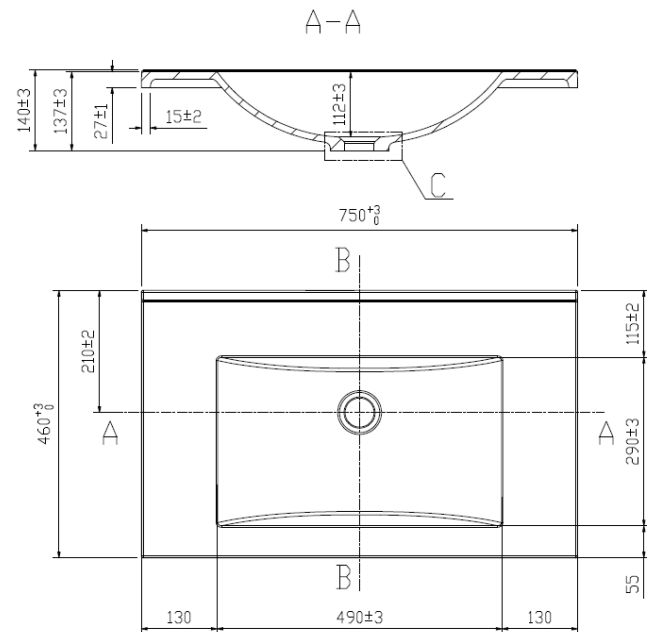


## Polymarble Top 750mm

### Technical Specification



\*Tap not included  
\*Please note that one tap hole is pictured for reference



#### Description

Polymarble Top to suit 750mm Neko Vanity NTH

**NV212203**

White

#### Attributes

- 27mm thickness
- Gloss White Finish
- Require 40mm waste (not included)
- No overflow

\*All dimensions are in millimeters and are subject to normal manufacturing variations. Actual dimensions should be checked prior to installation. Neko pursues a policy of continuing improvement in design and performance of its products. The right is therefore reserved to vary specifications without notice.