
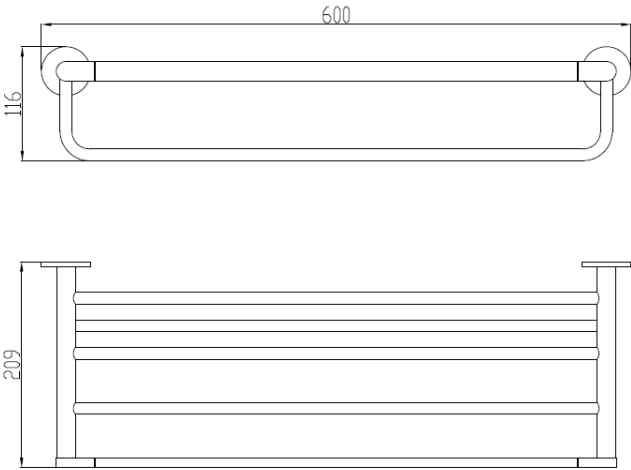


Trend Towel Shelf

Product Image	Technical Specification
	

Description	Attributes
<p>Trend Double Bath Towel Shelf Chrome</p> <p>NA100230 Chrome</p>	<ul style="list-style-type: none"> • Elegant European style design • Round wall plates • Flawless chrome finish • Warranty: 7/1 years

*All dimensions are in millimeters and are subject to normal manufacturing variations. Actual dimensions should be checked prior to installation. Neko pursues a policy of continuing improvement in design and performance of its products. The right is therefore reserved to vary specifications without notice.