



# Ecojet Classic 32 Shower Rail Set

## Product Image



## Product Details

**Code:** 643125B  
**Brand:** Hansa  
**Range:** Ecojet Classic  
**Warranty:** 15 Years\*  
**WELS:** 3 Star 9 LPM, Reg #: S12224 (V)

## Additional Features

**Required Product**  
Compliant Mixer

**Recommended Products**  
Matching Advantage Grab Rails

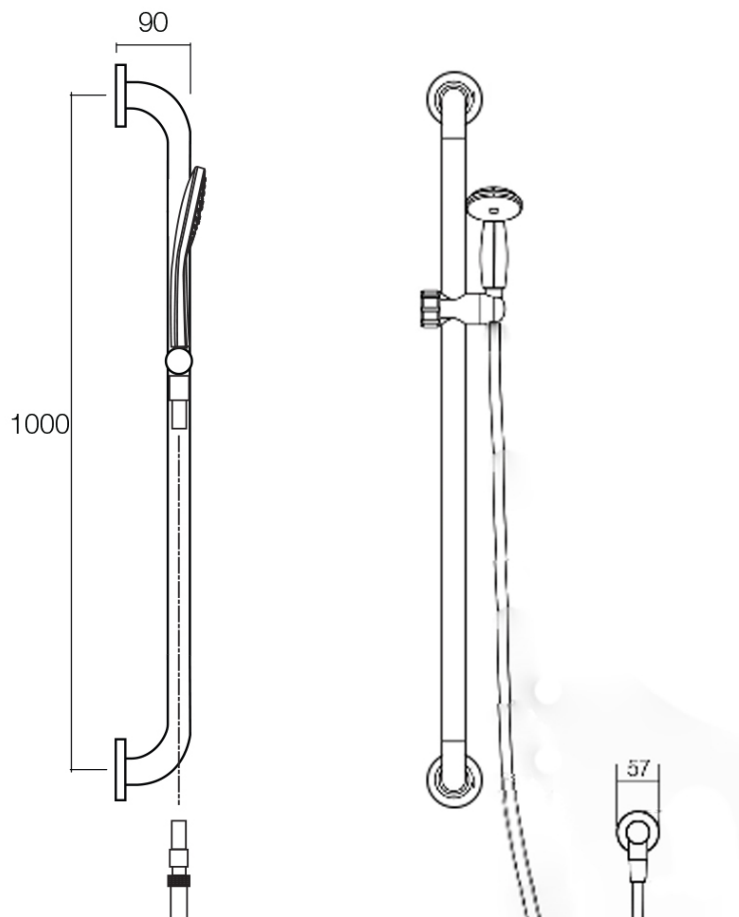
### Additional Notes

- AdvantageSeal Flange
- Polished SS Rail
- Concealed Fixings
- Ecojet Classic 95 Handpiece

### Installation Instructions

\* Shower to be installed to AS1428.1-2009 & AS3500 compliance requirements

## Technical Specification



\*Please visit [argentaust.com.au/warranty](http://argentaust.com.au/warranty) to view the full warranty

*Note: All dimensions are in millimetres and are subject to normal manufacturing variations. Always use the physical product measurements for cut-outs and rough-ins as the technical details shown may differ from the actual product. Use acetic cured silicone sealant. Do not use epoxy type adhesives. Clean with damp cloth. Do not use abrasive cleaners, liquids or pastes.*

