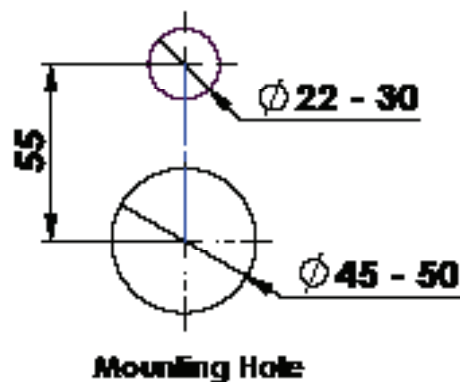
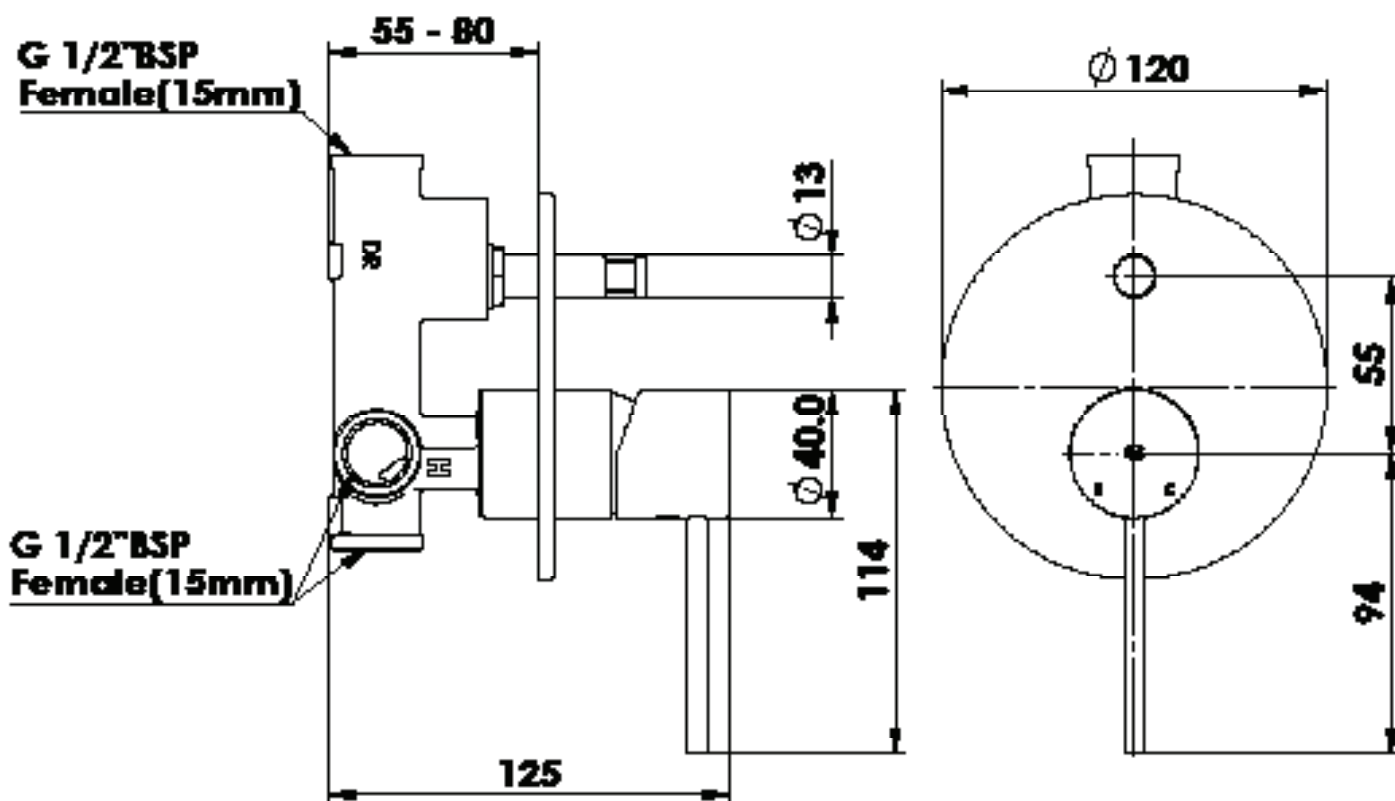


# GISELLE

## Shower Diverter

- 18403590 | Chrome
- 18403593 | Brushed Stainless
- 18403596 | Brushed Brass
- 18403597 | Matte Black
- 18403598 | Brushed Copper
- 18403599 | Gun Metal

WELS N/A



**AU** PHONE - 1800 244 487  
 EMAIL - [aussales@greenstapware.com](mailto:aussales@greenstapware.com)  
 WEBSITE - [greenstapware.com.au](http://greenstapware.com.au)