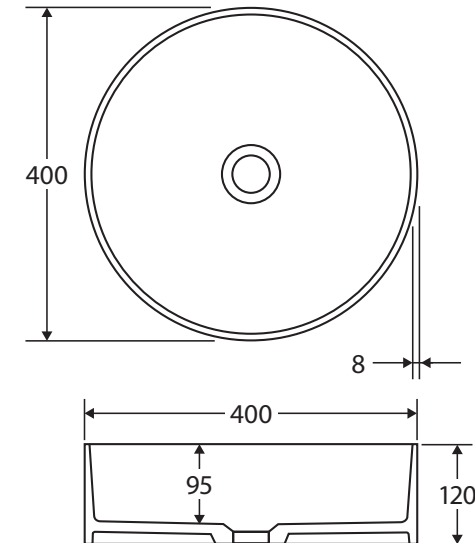


Minka

ROUND ABOVE COUNTER BASIN

Features

- Fluted design
- Solid surface
- No tap hole or overflow
- Requires 32 mm non-overflow waste (not included)
- Capacity: 10 litres
- Weight: 5.8 kg



Available in



Matte White
CSB802



Matte Black
CSB802B



Dusk
CSB802D



Forest
CSB802F

Cleaning & Care

- Wipe with a clean, soft cloth and mild soapy water or non-abrasive bathroom cleaner. Test in an inconspicuous area before cleaning the whole basin.
- Avoid placing hot objects, such as hair straighteners, on any surface as these will cause discolouration and marking.
- Spills of hair dye, after-shave lotion, nail polish and remover, aerosol spray and other harsh chemicals should be removed immediately to prevent damage and discolouration. Clean immediately with mild soapy water using a clean, soft cloth.

We aim to ensure that specifications are correct at the time of publication. All measurements are shown in millimetres. Always use measurements of actual product received for final specification as the technical drawing may contain differences. Due to printing limitations, physical colour may vary from the image shown. Fienza reserves the right to make modifications without prior notice.