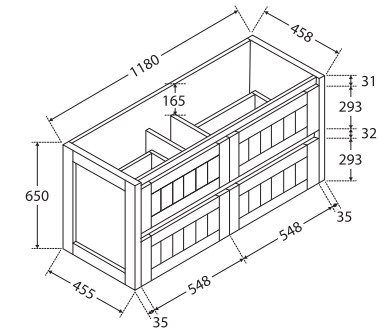


Hampton

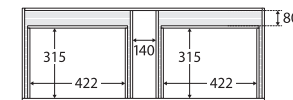
1200MM WALL-HUNG CABINET

Features

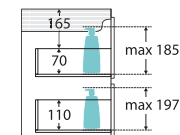
- Satin white exterior and interior
- Discrete white aluminium pull-channels
- Soft-close drawers and full extension drawer runners
- 16 mm thick backing board and drawer bases
- FSC certified, eco-friendly E0 board



TOP VIEW: DRAWERS



SIDE VIEW: RECESS & DRAWER STORAGE



Available in



Satin White
120T-C

Cleaning & Care

- Regularly clean with mild soapy water using a clean, soft cloth.
- Do not use harsh detergents, bleach, abrasive cleaners or cream/wax cleaners. These substances can result in scratches and/or deposit build-ups that will affect the appearance.
- Avoid placing hot objects, such as hair straighteners, on any surface as these will cause discolouration and marking.
- Spills of hair dye, after-shave lotion, nail polish and remover, aerosol spray and other harsh chemicals should be removed immediately to prevent damage and discolouration. Clean immediately with mild soapy water using a clean, soft cloth.

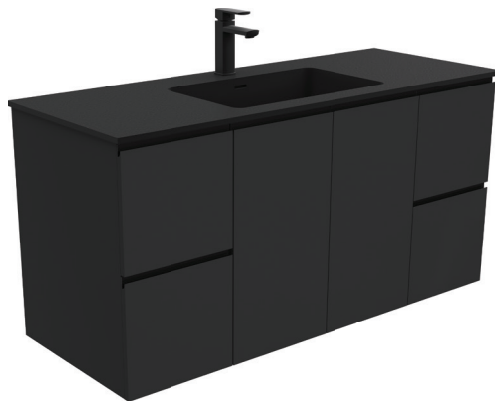
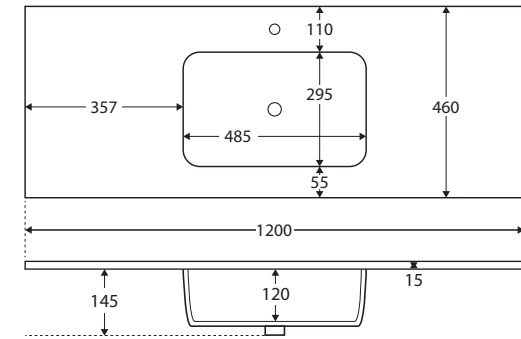
While we aim to ensure specifications are correct at the time of publication, Fienza reserves the right to make modifications without prior notice. Physical colour may vary from image shown. All measurements are shown in millimetres. Always use physical product measurements for mark-ups and roughing-in as the technical drawing may differ from actual product received.

Montana

FULL DEPTH SOLID SURFACE BASIN-TOP 1200MM

Features

- Rounded rectangle bowl design
- 15 mm thick solid surface
- Matte black finish with unique slate textured surface
- 12 o'clock tap hole as standard (3 tap holes also available)
- Integrated letterbox style overflow
- Requires 32 mm overflow waste (available separately)



Available in



1 tap hole
MON120



3 tap hole
MON120-3

Cleaning & Care

- Wipe with a clean, soft cloth and mild soapy water or non-abrasive bathroom cleaner. Test in an inconspicuous area before cleaning the whole top.
- Avoid placing hot objects, such as hair straighteners, on any surface as these will cause discolouration and marking.
- Spills of hair dye, after-shave lotion, nail polish and remover, aerosol spray and other harsh chemicals should be removed immediately to prevent damage and discolouration. Clean immediately with mild soapy water using a clean, soft cloth.

While we aim to ensure specifications are correct at the time of publication, Fienza reserves the right to make modifications without prior notice. Physical colour may vary from image shown. All measurements are shown in millimetres. Always use physical product measurements for mark-ups and roughing-in as the technical drawing may differ from actual product received. Tapware not included.