

**60cm Dark stainless steel 9 multifunction oven with SteamBake, pyrolytic cleaning, knob controls and full extension telescopic runners.**



## Product Details

### FEATURES

---

#### SteamBake

Add SteamBake to your repertoire to enjoy fluffy, yet crisp home-baked goodies.

#### Pyrolytic self-cleaning oven

#### FullFlex Telescopic Runners

#### SoftMove

---

#### Easy glide side racks

#### Quadruple glazed doors

#### Removable door

#### 80L gross capacity oven

---

### BENEFITS

---

#### NEXT-LEVEL BAKING WITH STEAM

With SteamBake, you can create bakery-style bread in your own home. The added steam allows dough to rise more effectively than conventional heating. The steam helps to create an exquisitely soft centre, while the combination of hot air delivers deliciously glossy crusts.

#### NO NEED FOR ELBOW GREASE

High temperature pyrolytic cleaning burns away oven grease and grime for easy cleaning, without any need for water or chemicals. Simply set the pyro program and wipe the oven clean afterwards. The oven door is also quadruple-glazed to reduce the temperature of the door during cleaning.

---

#### ACCESS ALL AREAS WITH EASE

Telescopic runners make it easy for you to slide trays in and out of the oven. This provides safe, effortless access, making it easier to baste during cooking or check on how a dish is coming along. The runners also make light work of lifting and removing hot trays or heavy dishes.

#### GENTLY OPENS. QUIETLY CLOSES.

The SoftMove door allows for an efficient and pleasant interaction with your oven. The door will maintain an angled open position if needed and will close softly and quietly with a gentle push.

---

#### EASY OVEN DOOR REMOVAL

No more trying to scrub your ovens hard-to-reach places. With one flick of the hinges the door frame can be easily slid out. Once removed, the glass panels can be detached from the frame, making it easy to clean the whole surface of the door.

---

## Specifications

### PRODUCT PROFILE

---

|                                 |                            |
|---------------------------------|----------------------------|
| Domestic warranty details (yrs) | 2                          |
| Type of Oven                    | single pyrolytic oven      |
| Oven fuel                       | electric                   |
| Materials/Colour                | black,Dark stainless steel |
| Controls of Oven                | retractable control knobs  |
| Cooling fan                     | Yes                        |

---

### FLUSH FIT CUT OUT

---

|                               |     |
|-------------------------------|-----|
| Flush fit cut out height (mm) | 600 |
| Flush fit cut out width (mm)  | 600 |
| Flush fit cut out depth (mm)  | 581 |

---

### DIMENSIONS

---

#### PRODUCT DIMENSION

---

|                   |     |
|-------------------|-----|
| Total height (mm) | 597 |
| Total width (mm)  | 596 |
| Total depth (mm)  | 572 |

---

### MAIN OVEN

---

|                         |   |
|-------------------------|---|
| Gross capacity litres   | 80  |
| Useable capacity litres | 72  |
| Oven function           | multifunction   |
| Number of functions     | 9   |
| Oven Functions          | fan cooking,traditional bake,pizza,pastry,cook from frozen,full grill,grill,fan grill,pyro clean ,SteamBake |

---

## ELECTRICAL CONNECTION

|                               |           |
|-------------------------------|-----------|
| Connected load KW             | 3.1       |
| Maximum current rating (amps) | 12.9      |
| Type of connection            | hardwired |

## MAIN OVEN

|                 |   |
|-----------------|---|
| Oven liner      | pyrolux high temperature enamel   |
| Timer functions | acoustic signal,duration,minute minder,Countdown,End time,Delayed start,Time of day |

## OTHER FEATURES

|                             |  |
|-----------------------------|--|
| Pyrolytic functions         | 3  |
| Type of Pyrolytic functions | pyrolytic light clean,pyrolytic medium clean,pyrolytic heavy clean |
| Door                        | removable door,removable inner glass panes,Soft close              |
| Timer                       | Fully programmable touch control timer                             |
| Lights                      | 2  |
| Light wattage               | 25   |
| Light position              | side and rear  |
| Telescopic runners          | one  |
| Shelf support               | Easy glide side racks  |
| Number of shelves           | 2  |

**OTHER FEATURES**

---

|                      |     |
|----------------------|-----|
| Closed door grilling | Yes |
|----------------------|-----|

---

|                         |     |
|-------------------------|-----|
| Fold down grill element | Yes |
|-------------------------|-----|

---

|                      |  |
|----------------------|--|
| Included accessories | grill/oven pan,telescopic runner x 1,baking tray,side racks,2 x wire shelves,pan carrier |
|----------------------|--|

---

|                         |   |
|-------------------------|---|
| Layers of glass in door | 4 |
|-------------------------|---|

---

|                           |   |
|---------------------------|---|
| Number of shelf positions | 5 |
|---------------------------|---|

---

|            |    |
|------------|----|
| Food probe | No |
|------------|----|

---

**SHIPPING**

---

|                      |       |
|----------------------|-------|
| Shipping Volume (m3) | 0.283 |
|----------------------|-------|

---

|                      |      |
|----------------------|------|
| Shipping Weight (Kg) | 44.5 |
|----------------------|------|

---

|                             |     |
|-----------------------------|-----|
| Pack Dimensions Height (mm) | 665 |
|-----------------------------|-----|

---

|                           |     |
|---------------------------|-----|
| Pack Dimension Width (mm) | 635 |
|---------------------------|-----|

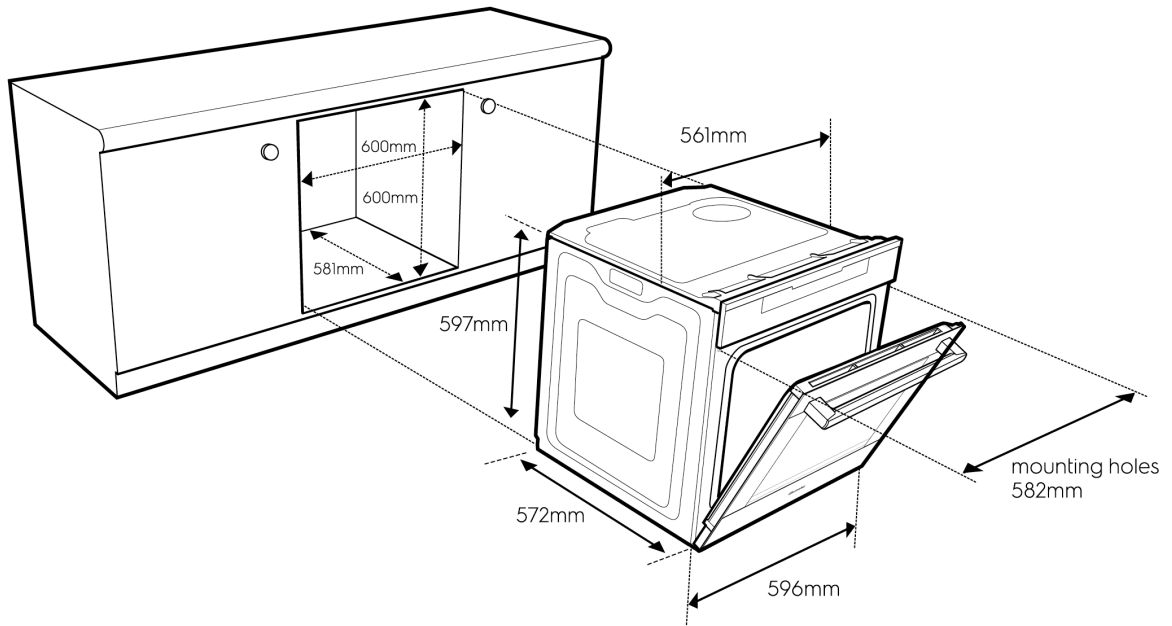
---

|                           |     |
|---------------------------|-----|
| Pack Dimension Depth (mm) | 670 |
|---------------------------|-----|

---

## Dimensions

**Model:**  
EVEP614DSE



## Terms and Conditions

### IMPORTANT

This is a guide of product dimensions only. For complete installation instructions, refer to the manual provided with product.

### PRODUCT INFORMATION

The descriptors and illustrations in this publication apply to the specific products and models described as at the date of issue. Under our policy of continuous product development, product specifications may change without notice. Prospective purchasers should therefore check with their retailer to ensure this publication correctly describes the products that are being offered for sale. All information supplied is to be used for general reference purposes only and is on the understanding that Electrolux Home Products Pty Ltd (Australia) and Electrolux (NZ) Ltd (New Zealand) will not be liable for any loss, liability or damage of whatever kind arising as a result of reliance on such information. Colours of products illustrated are as close as printing limitations allow. Electrolux will at all times comply with its obligations pursuant to law including Trade Practices (Australian Consumer Law) Act and Regulations.

### WARRANTY

This warranty only applies to Appliances purchased and used in Australia or New Zealand and used in normal domestic applications and is in addition to (and does not exclude, restrict, or modify in any way) any non-excludable statutory warranties in Australia or New Zealand. All warranties are subject to the conditions set out in the warranty card accompanying the product when purchased.

#### ELECTROLUX HOME PRODUCTS AUSTRALIA

telephone: 1300 363 640

fax: 1800 350 067

email: [customercare@electrolux.com.au](mailto:customercare@electrolux.com.au)

web: [www.electrolux.com.au](http://www.electrolux.com.au)

#### ELECTROLUX HOME PRODUCTS NEW ZEALAND

telephone: 09 573 2230

fax: 09 573 2221

email: [customercare@electrolux.co.nz](mailto:customercare@electrolux.co.nz)

web: [www.electrolux.co.nz](http://www.electrolux.co.nz)