

60cm multi-function 3 stainless steel fan forced oven with separate grill, dial controls and and 80L/46L capacity.



## Product Details

### FEATURES

---

Separate oven and grill functions

Fast and even cooking results

Easy to use dial controls

80L main oven & 46L separate grill capacity

---

Stainless steel finish

---

### BENEFITS

---

Cook separately but simultaneously

For multitasking at its finest, the separate grill lets you cook your favourite dishes at the same time whilst keeping flavours and smells separate.

Fan forced and fast

The powerful fan forced oven provides even heat distribution and faster cooking times for better results in the kitchen.

---

Easy to use oven controls

User friendly design and easy to use dial controls makes cooking simple and more enjoyable. Control heat and cooking times with a simple touch.

Built in Australia

Chef has been part of Australian homes for generations and the kitchen appliance brand we have always known and trusted to build reliable products. This oven is built in a local factory in Adelaide.

---

## Specifications

### PRODUCT PROFILE

Domestic warranty details (yrs)	2
Type of Oven	separate grill wall oven
Oven fuel	electric
Materials/Colour	stainless steel
Controls of Oven	control knob
Cooling fan	Yes

### FLUSH FIT CUT OUT

Flush fit cut out height (mm)	893
Flush fit cut out width (mm)	600
Flush fit cut out depth (mm)	581

### DIMENSIONS

#### PRODUCT DIMENSION

Total height (mm)	890
Total width (mm)	596
Total depth (mm)	573

### MAIN OVEN

Gross capacity litres	80
Useable capacity litres	72
Oven function	fan forced
Number of functions	3
Oven Functions	defrost,grill,fan bake
Oven liner	enamel

## SECOND OVEN OR GRILL

Gross capacity litres	46
Useable capacity litres	38
Oven Functions	grill
Shelf support	side rack
Number of shelf positions	3
Layers of glass in door	2

## OTHER FEATURES

Cleaning	easy clean door
Door	removable door,removable inner glass panes,cool door
Timer	2 hour mechanical
Lights	1
Light wattage	25

## MAIN OVEN

Light wattage	25
---------------	----

## ELECTRICAL CONNECTION

Connected load KW	4.5
Maximum current rating (amps)	18.75
Type of connection	hardwired

## SHIPPING

Shipping Volume (m3)	0.408
Shipping Weight (Kg)	46.5
Pack Dimensions Height (mm)	960
Pack Dimension Width (mm)	635

## OTHER FEATURES

Light position	rear
Shelf support	easy clean formed shelf supports
Number of shelves	2
Included accessories	grill/oven pan,grill insert,2 x wire shelves,Full width grill dish
Layers of glass in door	3
Number of shelf positions	5

## STUFFING QUANTITIES

20ft	48
40ft	96
40ft HC	96

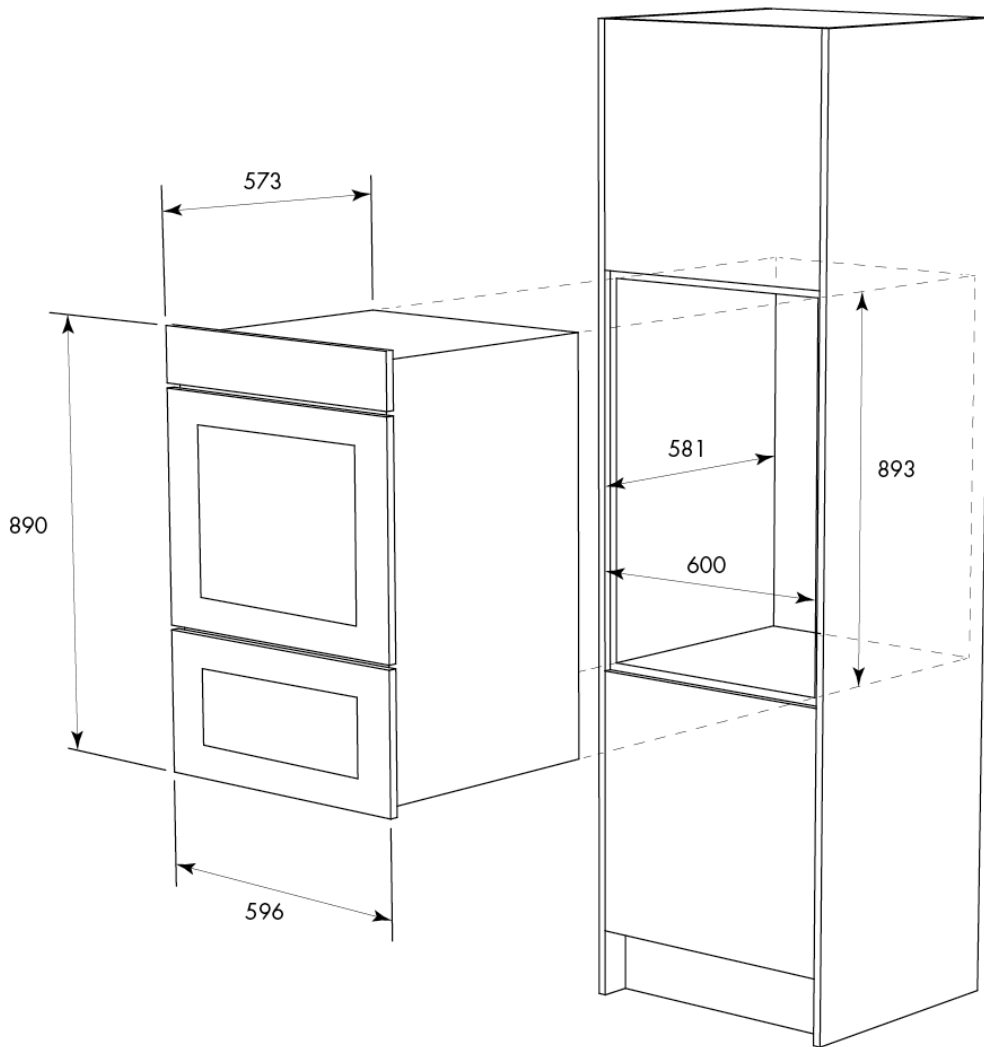
## SHIPPING

Pack Dimension Depth (mm)	670
---------------------------	-----

# Dimensions

**IMPORTANT**

These dimensions are a guide only. All measurements are in millimetres (mm).  
For complete installation instructions, refer to the manual provided with product.



## Terms and Conditions

### IMPORTANT

This is a guide of product dimensions only. For complete installation instructions, refer to the manual provided with product.

### PRODUCT INFORMATION

The descriptors and illustrations in this publication apply to the specific products and models described as at the date of issue. Under our policy of continuous product development, product specifications may change without notice. Prospective purchasers should therefore check with their retailer to ensure this publication correctly describes the products that are being offered for sale. All information supplied is to be used for general reference purposes only and is on the understanding that Electrolux Home Products Pty Ltd (Australia) and Electrolux (NZ) Ltd (New Zealand) will not be liable for any loss, liability or damage of whatever kind arising as a result of reliance on such information. Colours of products illustrated are as close as printing limitations allow. Electrolux will at all times comply with its obligations pursuant to law including Trade Practices (Australian Consumer Law) Act and Regulations.

### WARRANTY

This warranty only applies to Appliances purchased and used in Australia or New Zealand and used in normal domestic applications and is in addition to (and does not exclude, restrict, or modify in any way) any non-excludable statutory warranties in Australia or New Zealand. All warranties are subject to the conditions set out in the warranty card accompanying the product when purchased.

#### ELECTROLUX HOME PRODUCTS AUSTRALIA

telephone: 1300 363 640

fax: 1800 350 067

email: [customercare@electrolux.com.au](mailto:customercare@electrolux.com.au)

web: [www.electrolux.com.au](http://www.electrolux.com.au)

#### ELECTROLUX HOME PRODUCTS NEW ZEALAND

telephone: 09 573 2230

fax: 09 573 2221

email: [customercare@electrolux.co.nz](mailto:customercare@electrolux.co.nz)

web: [www.electrolux.co.nz](http://www.electrolux.co.nz)