

**90cm 4 zone induction cooktop with PowerBoost, touch on glass control, pause function, auto off and child lock safety.**



## Product Details

### FEATURES

---

PowerBoost	Easy transition from ceramic cooktop	6.5kW rated input power	Pause function
Touch control	Residual heat indicator	Auto off safety	Child lock
9 power levels	Easy cleaning		

### BENEFITS

---

**Upgrade to induction**  
 Upgrade to induction for a cooking experience that is faster, safer and more energy efficient.

**Heat in an instant**  
 Powerboost gives you intense heat in an instant so you no longer have to waste time waiting for water to boil or your pan to heat up.

**Transition to induction? Easy.**  
 Its an easy to transition from a electric cooktop to a Chef induction. If the rated input power of your current electric cooktop is 6.5kW\* or less, you can easily upgrade to our induction cooktop with minimal fuss. \*We recommend contacting a licenced electrician to determine whether your home's existing electric service can support the appliance.

**Auto off safety feature**  
 A safety feature which ensures that your cooktop will automatically turn off when cooking zones are unattended or a spill occurs.

**Safe and sound child lock**  
 Know that your family is safe thanks to an added child lock feature that prevents them from starting the cooktop by accident.

## Specifications

### PRODUCT PROFILE

Domestic warranty details (yrs)	2
Cooktop type	induction
Materials/Colour	black ceramic glass

### CONTROLS

Controls of Cooktops	touch
Position of controls	front
Functions of Cooktops	timer,Keep warm function,pause,PowerBoost
Indicators/display	fault indicator
Features of Cooktop	minute minder,safety cut off,electronic timer,safety child lock,hot surface indicator,auto pot sensors
Timer of Cooktop	programmable 99min,countdown

### DIMENSIONS

Total product height (mm)	51
Total product width (mm)	900
Total product depth (mm)	515
Cut out width (mm)	880
Cut out depth (mm)	490

### ELEMENTS/BURNERS

#### LEFT FRONT ZONE

Left front zone	induction
Left front Watts	2300
Left front boost watts	3200
Left front number of cooking zones	1
Left front diameter mm	210

### LEFT REAR ZONE

---

Left rear zone	induction
----------------	-----------

---

Left rear watts	1400
-----------------	------

---

Left rear number of cooking zones	1
-----------------------------------	---

---

Left rear diameter mm	140
-----------------------	-----

---

### RIGHT REAR ZONE

---

Right rear zone	induction
-----------------	-----------

---

Right rear watts	1800
------------------	------

---

Right rear number of cooking zones	1
------------------------------------	---

---

Right rear diameter mm	180
------------------------	-----

---

### SHIPPING

---

Shipping Volume (m3)	0.066
----------------------	-------

---

Shipping Weight (Kg)	14.1
----------------------	------

---

Pack Dimensions Height (mm)	110
-----------------------------	-----

---

### RIGHT FRONT ZONE

---

Right front zone	induction
------------------	-----------

---

Right front Watts	1400
-------------------	------

---

Right front number of cooking zones	1
-------------------------------------	---

---

Right front diameter mm	140
-------------------------	-----

---

### ELECTRICAL SPECIFICATIONS

---

Connected load KW	6.5
-------------------	-----

---

Type of connection	hardwired
--------------------	-----------

---

### STUFFING QUANTITIES

---

20ft	400
------	-----

---

40ft HC	924
---------	-----

---

## SHIPPING

---

Pack Dimension Width (mm)	1000
------------------------------	------

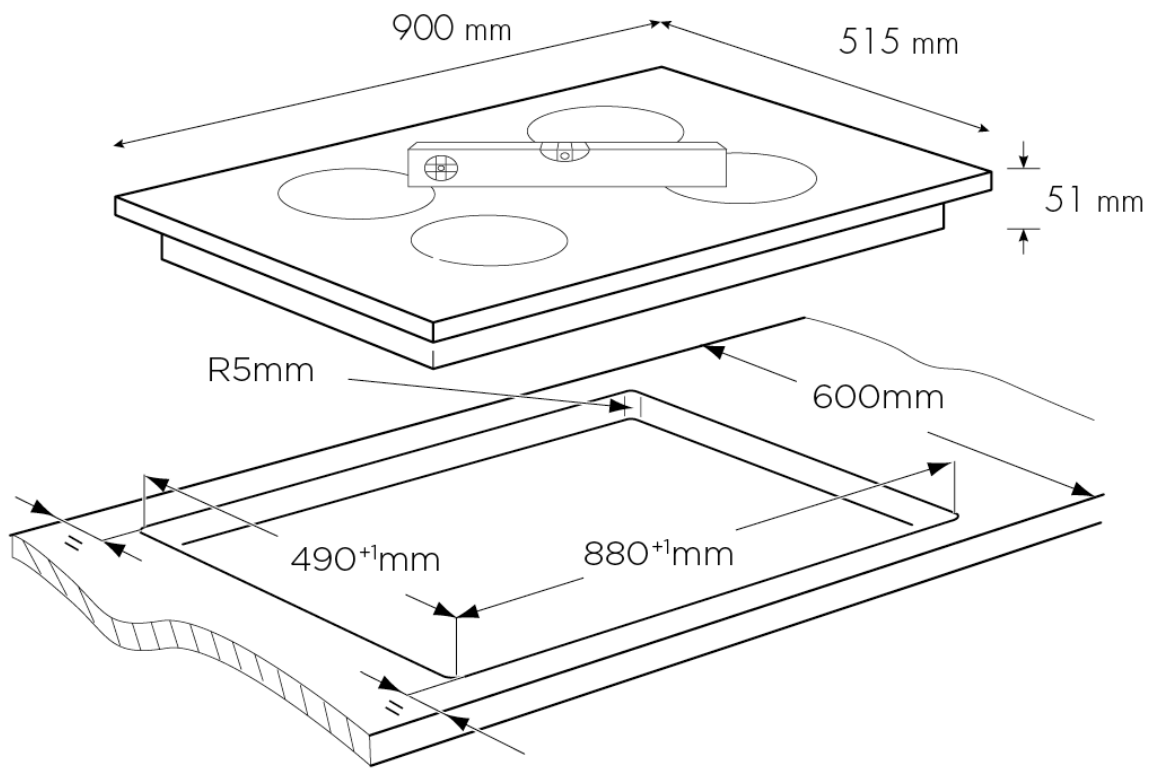
---

Pack Dimension Depth (mm)	600
------------------------------	-----

---

# Dimensions

**IMPORTANT** These dimensions are a guide only. All measurements are in millimetres (mm). For complete installation instructions, refer to the manual provided with product.



# Terms and Conditions

## IMPORTANT

This is a guide of product dimensions only. For complete installation instructions, refer to the manual provided with product.

## PRODUCT INFORMATION

The descriptors and illustrations in this publication apply to the specific products and models described as at the date of issue. Under our policy of continuous product development, product specifications may change without notice. Prospective purchasers should therefore check with their retailer to ensure this publication correctly describes the products that are being offered for sale. All information supplied is to be used for general reference purposes only and is on the understanding that Electrolux Home Products Pty Ltd (Australia) and Electrolux (NZ) Ltd (New Zealand) will not be liable for any loss, liability or damage of whatever kind arising as a result of reliance on such information. Colours of products illustrated are as close as printing limitations allow. Electrolux will at all times comply with its obligations pursuant to law including Trade Practices (Australian Consumer Law) Act and Regulations.

## WARRANTY

This warranty only applies to Appliances purchased and used in Australia or New Zealand and used in normal domestic applications and is in addition to (and does not exclude, restrict, or modify in any way) any non-excludable statutory warranties in Australia or New Zealand. All warranties are subject to the conditions set out in the warranty card accompanying the product when purchased.

### ELECTROLUX HOME PRODUCTS AUSTRALIA

telephone: 1300 363 640

fax: 1800 350 067

email: [customercare@electrolux.com.au](mailto:customercare@electrolux.com.au)

web: [www.electrolux.com.au](http://www.electrolux.com.au)

### ELECTROLUX HOME PRODUCTS NEW ZEALAND

telephone: 09 573 2230

fax: 09 573 2221

email: [customercare@electrolux.co.nz](mailto:customercare@electrolux.co.nz)

web: [www.electrolux.co.nz](http://www.electrolux.co.nz)