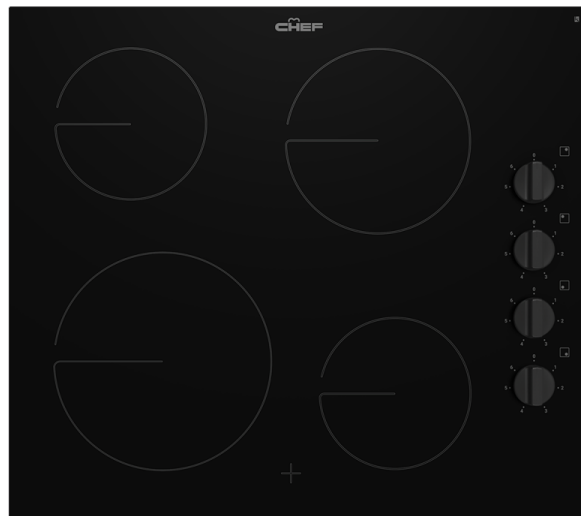


60cm 4 zone ceramic cooktop with hot surface indicator, 6 power levels and easy clean ceramic surface.



Product Details

FEATURES

2.3kW powerful zone

Easy clean ceramic surface

Hot surface indicator

Stylish and functional knobs

6 power levels

Auto off safety

BENEFITS

Stylish black control knobs

Style and simplicity unite with our easy to use black cooktop knobs.

Designed for a safer cooking experience

Designed with your safety in mind, our hot surface indicator alerts you when your cooktop surface is hot.

Cooktop cleaning made easy

Enjoy more cooking and less cleaning with our easy to clean cooktops.

Specifications

PRODUCT PROFILE

Domestic warranty details (yrs)	2
Cooktop type	ceramic
Materials/Colour	black ceramic glass
Knob Finish	black

CONTROLS

Controls of Cooktops	knob
Position of controls	right hand side
Features of Cooktop	hot surface indicator

LEFT REAR ZONE

Left rear zone	ceramic
----------------	---------

DIMENSIONS

Total product height (mm)	51
Total product width (mm)	590
Total product depth (mm)	520
Cut out width (mm)	560
Cut out depth (mm)	490

ELEMENTS/BURNERS

LEFT FRONT ZONE

Left front zone	ceramic
Left front Watts	2300
Left front number of cooking zones	1

RIGHT FRONT ZONE

Right front zone	ceramic
------------------	---------

Left rear watts	1200
-----------------	------

Right front Watts	1200
-------------------	------

Left rear number of cooking zones	1
-----------------------------------	---

Right front number of cooking zones	1
-------------------------------------	---

Left rear diameter mm	140
-----------------------	-----

Right front diameter mm	140
-------------------------	-----

RIGHT REAR ZONE

Right rear zone	ceramic
-----------------	---------

Connected load KW	6.5
-------------------	-----

Right rear watts	1800
------------------	------

Type of connection	hardwired
--------------------	-----------

Right rear number of cooking zones	1
------------------------------------	---

Right rear diameter mm	180
------------------------	-----

SHIPPING

Shipping Volume (m3)	0.045
----------------------	-------

STUFFING QUANTITIES

20ft	540
------	-----

Shipping Weight (Kg)	9
----------------------	---

40ft	1140
------	------

Pack Dimensions Height (mm)	108
-----------------------------	-----

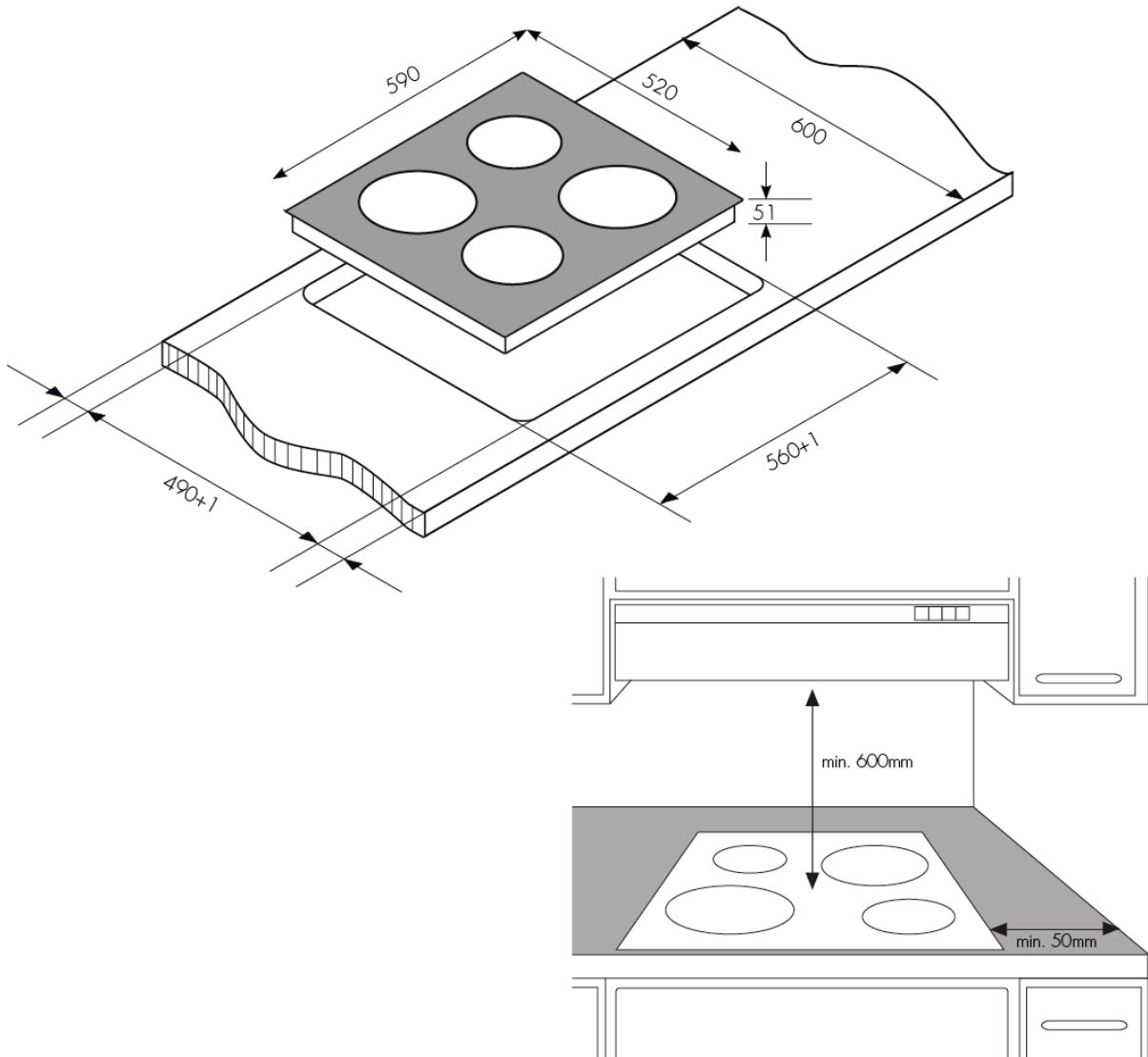
40ft HC	1254
---------	------

Pack Dimension Width (mm)	680
---------------------------	-----

Pack Dimension Depth (mm)	600
---------------------------	-----

Dimensions

IMPORTANT These dimensions are a guide only. All measurements are in millimetres (mm). For complete installation instructions, refer to the manual provided with product.



Terms and Conditions

IMPORTANT

This is a guide of product dimensions only. For complete installation instructions, refer to the manual provided with product.

PRODUCT INFORMATION

The descriptors and illustrations in this publication apply to the specific products and models described as at the date of issue. Under our policy of continuous product development, product specifications may change without notice. Prospective purchasers should therefore check with their retailer to ensure this publication correctly describes the products that are being offered for sale. All information supplied is to be used for general reference purposes only and is on the understanding that Electrolux Home Products Pty Ltd (Australia) and Electrolux (NZ) Ltd (New Zealand) will not be liable for any loss, liability or damage of whatever kind arising as a result of reliance on such information. Colours of products illustrated are as close as printing limitations allow. Electrolux will at all times comply with its obligations pursuant to law including Trade Practices (Australian Consumer Law) Act and Regulations.

WARRANTY

This warranty only applies to Appliances purchased and used in Australia or New Zealand and used in normal domestic applications and is in addition to (and does not exclude, restrict, or modify in any way) any non-excludable statutory warranties in Australia or New Zealand. All warranties are subject to the conditions set out in the warranty card accompanying the product when purchased.

ELECTROLUX HOME PRODUCTS AUSTRALIA

telephone: 1300 363 640

fax: 1800 350 067

email: customercare@electrolux.com.au

web: www.electrolux.com.au

ELECTROLUX HOME PRODUCTS NEW ZEALAND

telephone: 09 573 2230

fax: 09 573 2221

email: customercare@electrolux.co.nz

web: www.electrolux.co.nz