

## SKANDIC - SINK MIXER WATER EFFICIENT TAPWARE

### PLUMBERS INSTALLATION INSTRUCTIONS

#### Important Information

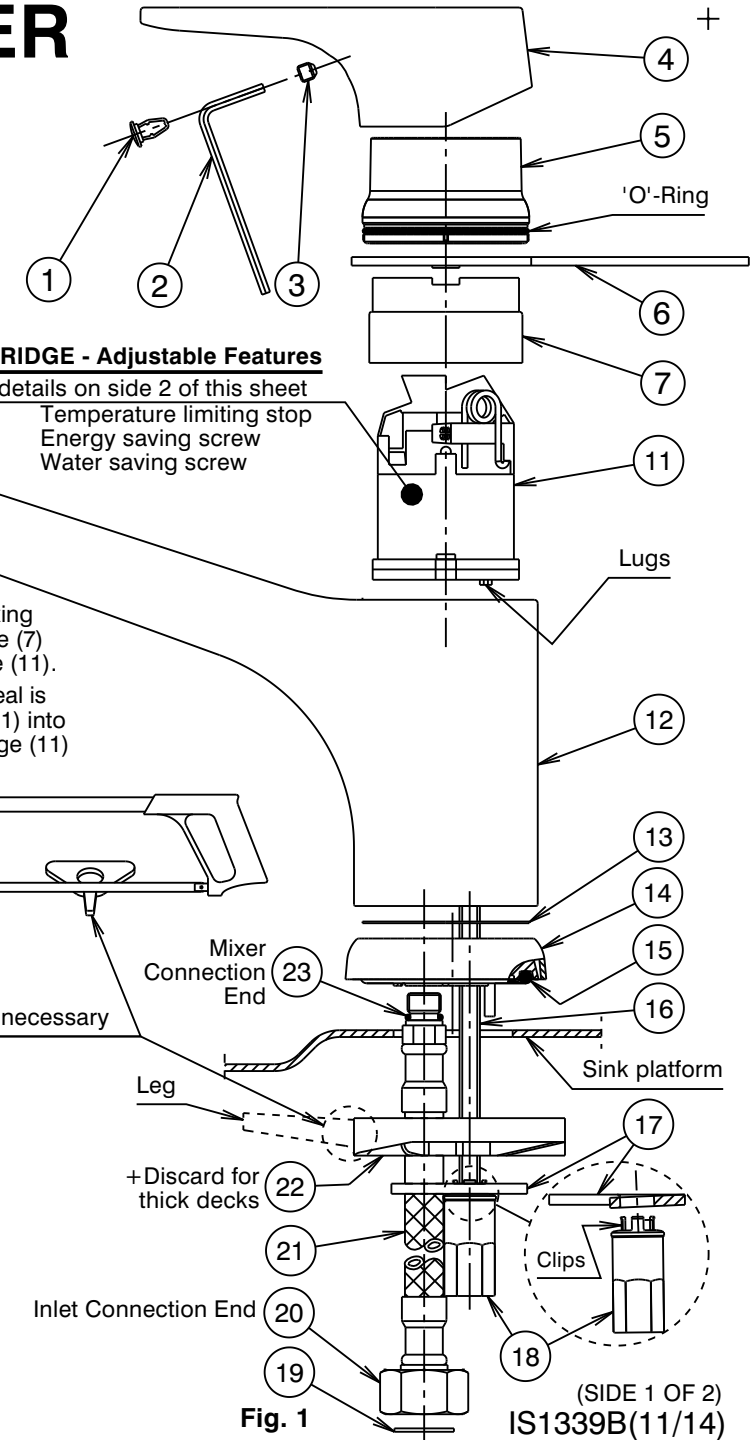
- \* Not suitable for gravity feed systems.
- \* Mixer is fitted with a flow regulated aerator insert.
- \* Isolating stop taps must be fitted to the hot & cold water supply connections. (Part No. 842018C - Mini cistern 1/4T)
- \* All pipework must be thoroughly flushed prior to installation, as foreign materials may block the flow regulating device and reduce the flow of water. Note: Aerator insert housing must be retightened to prevent removal by hand.

#### Installation (Fig.1)

- 1) Insert the clips of the fixing nut (18) into the hole in the fixing plate (17), with flat face 'up'. Holding mixer (12) with base uppermost, ensure white thrust washer (13) is in position in groove then fit base ring (14) with 'O'Ring seal (15) over the stud (16) and engage in groove in base.
- 2) **Flexible Tail Mixer Connections:** Apply suitable lubricant to 'O'rings (23). Fit flexible tail (21) (with red indication) into inlet hole marked as 'H' in underside of mixer body (12). Hand tighten the tail, ensuring the 'O'ring (23) has fully entered the sealing bore to provide a watertight joint. Fit other flexible tail (with blue indication) into remaining hole in a similar manner.
- 3) Insert the inlet connection end (20) of each flexible tail (21) through the hole in the deck. Place mixer over deck hole, fit spacer (22) (for thin decks only, cut leg for stepped sink platforms) then screw the fixing nut (18) together with fixing plate (17) onto stud (16). Position mixer (12) as required then tighten fixing nut (18) using a suitable spanner.
- 4) **Flexible Tail Inlet Connections:** Place a fibre washer (19) into the inlet connection end (20) of each flexible tail (21) then connect the tails to the hot and cold isolating stop taps. Hand tighten the connecting nut (20) until fibre washer (19) contacts the sealing face of the connection end, then tighten firmly using a suitable spanner to provide a watertight joint. **Important:** Flexible tails must not be kinked, twisted or in tension when installed. (Minimum Bend Radius:- 50mm) Do not install flexible tails where subject to ultra violet light.

#### Replacing Cartridge

- 1) Turn off hot and cold water supplies.
- 2) Carefully remove plug (1) before using a 2.5mm allen key (2) to loosen grub screw (3) and remove handle (4). Remove the cover (5) by pulling in an upwards direction, taking care not to damage the decorative finish. Unscrew the sleeve (7) using the spanner (6) provided and remove the old cartridge (11).
- 3) Ensure inside face of mixer body (12) is clean. Check that seal is in position in base of new cartridge (11). Fit new cartridge (11) into mixer body (12), taking care that two lugs on base of cartridge (11) fit into mating holes in mixer body (12).
- 4) Fit the sleeve (7) over the cartridge (11) then screw and tighten firmly using spanner (6) to ensure a watertight connection between the cartridge (11) and the mixer body (12). Replace the cover (5) by engaging its 'O'Ring into the mixer body (12) and pushing the cover firmly down until bottomed.
- 5) Locate and hold the handle (4) onto the cartridge (11), then tighten grub screw (3). Replace plug (1), taking care that the red indication is to the left.
- 6) Turn on water supplies and check operation.



<b>IMPORTANT</b>	
<b><u>Pressure &amp; Temperature Requirements.</u></b>	
• Hot and cold water inlet pressures should be equal.	
• Static inlet pressure range : 150-1000 kPa	
New Regulation:- 500 kPa maximum static pressure at any outlet within a building. (Ref. AS/NZS 3500.1)	
• Maximum hot water temperature : 70°C.	
(In accordance with AS 3499)	
<b><u>Deck Requirements</u></b>	
• Deck thickness : 40mm maximum	
• Tap body hole (in deck) : Ø34-36mm	

Fig. 1

## SKANDIC - SINK MIXER WATER EFFICIENT TAPWARE

### PLUMBERS ADJUSTMENT INSTRUCTIONS

#### Adjusting the TEMPERATURE LIMITING STOP (Fig.2)

The cartridge fitted in this mixer has been factory pre-set to deliver the maximum available hot water temperature. To use the Temperature Limit feature adjust the cartridge as follows:-

Carefully remove plug (1) before using a 2.5mm allen key (2) to loosen grub screw (3) and remove handle (4). (See details on side 1 of this sheet.)

To remove the Hot Limit Stop segment (8) from the cartridge (11), use a flat bladed screwdriver and carefully lever the segment in an upwards direction.

Rotate the segment (8) in a clockwise direction to reduce the maximum hot water temperature then refit the segment (8) onto the cartridge (11).

**Note:-** Start by rotating the segment (8) in small increments, then check the hot water temperature with the mixer handle in the fully open maximum hot water position. The segment (8) can be removed & repositioned until the desired maximum hot water temperature is achieved.

Ensure the segment (8) is pushed fully down onto the cartridge (11). Locate and hold the handle (4) onto the cartridge (11), then tighten grub screw (3). Replace plug (1), taking care that the red indication is to the left.

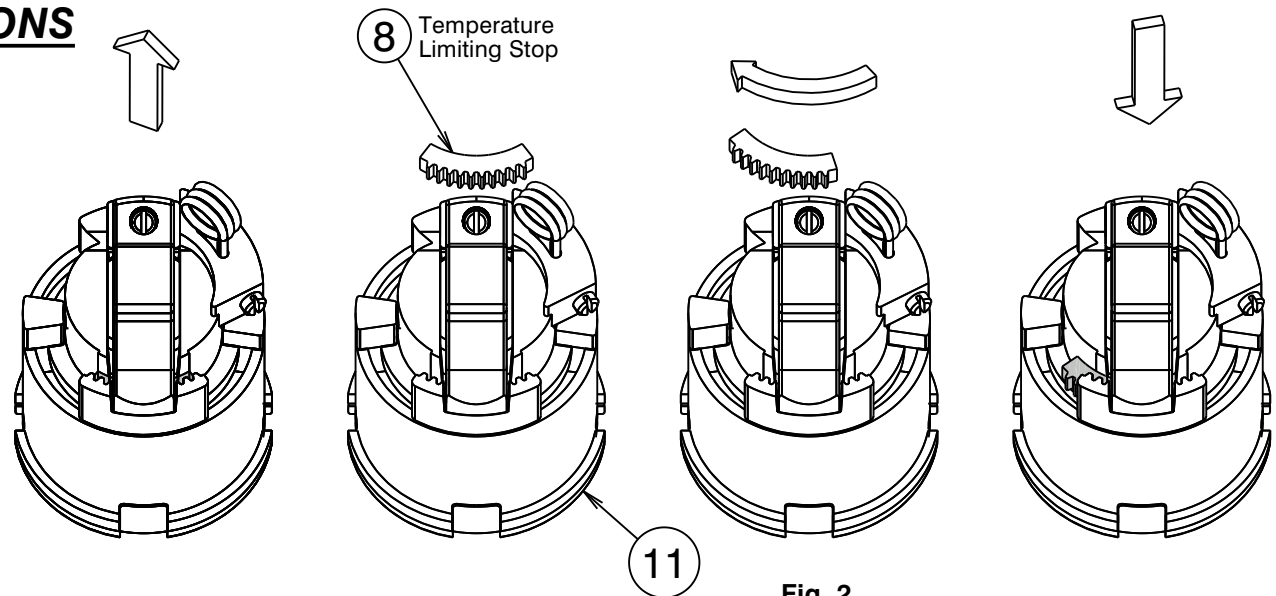


Fig. 2

#### Adjusting the ENERGY SAVING SCREW (Fig.3)

To select maximum hot water temperature the handle lever of this mixer must be moved fully to the left until the temperature stop segment is contacted (see above). The cartridge is also fitted with an energy saving feature. When the handle lever is released from this maximum hot position, it will automatically return to the factory pre-set comfort water temperature of 38-40°C (approx.). This energy saving feature can be adjusted or disabled as follows:-

Carefully remove plug (1) before using a 2.5mm allen key (2) to loosen grub screw (3) and remove handle (4). (See details on side 1 of this sheet.)

Using a small thin flat bladed screwdriver, adjust screw (10) in an clockwise direction to increase the comfort temperature. Adjusting the screw (10) fully until bottomed will disable the energy saving feature.

Locate and hold the handle (4) onto the cartridge (11), then tighten grub screw (3). Replace plug (1), taking care that the red indication is to the left.

#### Adjusting the WATER SAVING SCREW (Fig.3)

To select maximum water flow the handle lever of this mixer must be lifted to its highest position. The cartridge is also fitted with a water saving feature. When the handle lever is released from this maximum flow position, it will automatically return to the factory pre-set comfort flow position, which is sufficient for hand washing etc. **Important Note:-** This Mixer is already fitted with a flow regulated aerator insert. Low flow rates may not be suitable for connection to some installations. (See Important Information details on side 1 of this sheet). This water saving feature can be adjusted or disabled by adjusting the cartridge as follows:-

Carefully remove plug (1) before using a 2.5mm allen key (2) to loosen grub screw (3) and remove handle (4). (See details on side 1 of this sheet.)

Using a small thin flat bladed screwdriver, adjust screw (9) in a clockwise direction to further reduce the comfort flow when the handle lever is released. Adjusting the screw (9) anti-clockwise will increase the comfort flow until maximum flow is achieved and comfort flow is disabled.

**Note:-** Start by rotating the Screw (9) in small amounts then check the flow of water with the handle lever in the fully up released position. Readjust the screw until the desired water flow is achieved.

Locate and hold the handle (4) onto the cartridge (11), then tighten grub screw (3). Replace plug (1), taking care that the red indication is to the left.

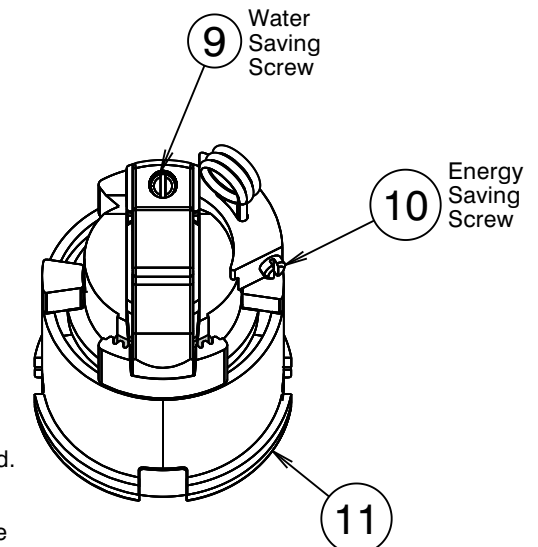


Fig. 3