

Backrest Curved Arm

Sanitary Facilities - Access and Mobility Stainless Steel Backrest for People with Disabilities Installation Complying to A.S.1428.1-2009 Amd 1



The **Backrest Curved Arm** is made up of a stainless steel body with a white contoured backrest pad, and is designed to provide back support for people with disabilities. The product has been designed to meet compliance requirements of AS1428.1-2009 Amd. 1 - design for access and mobility.

Important: Reference must be made to A.S.1428-1-2009 with current amendments to determine circulation space, grab rail and installation requirements. The dimensions in this sheet may change with amendments to the standard.

Pan: Suitable for Care Wall-Faced Back Inlet, Care Wall-Faced Close Coupled and Care Connector Suites install to AS1428.1-2009 setout.

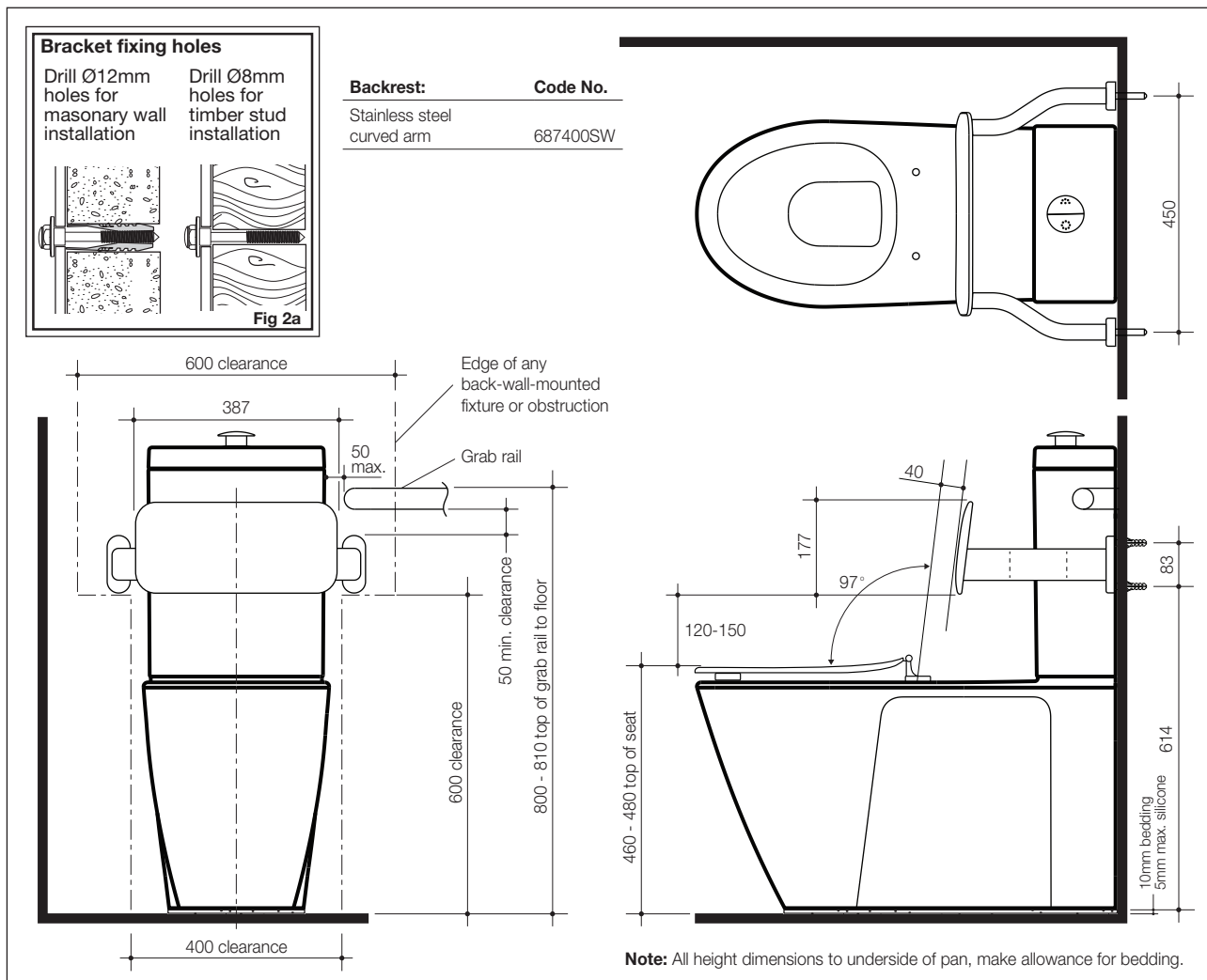
Installation: Suitable support must be included behind the wall for fixing bolts.

Dimensions: All dimensions are in millimetres and are subject to normal manufacturing variations. Caroma pursues a policy of continuing improvement in design and performance of its products. The right is therefore reserved to vary specifications without notice.

Fixing: Backrest Fixing Kit. M10 zinc-plated coach bolts supplied which fixes to the finished wall.

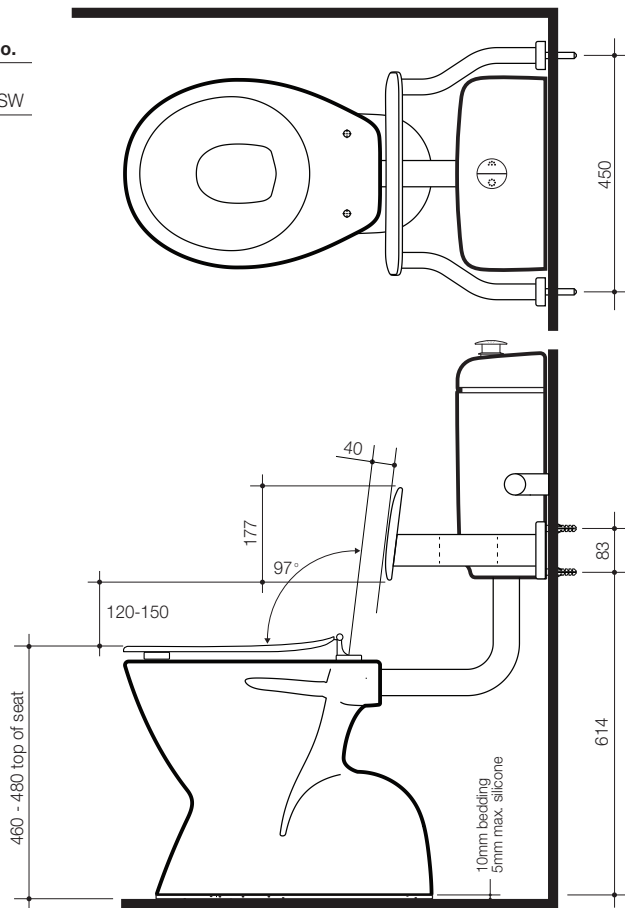
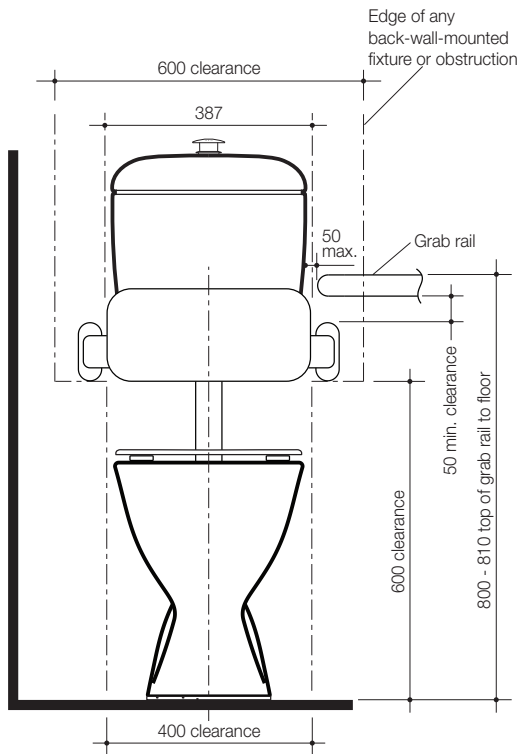
Material & Colour: Stainless steel arms and back plate with white polypropylene backrest pad.

Installation for Close Coupled Cistern



Installation for Wall Mounted Cistern

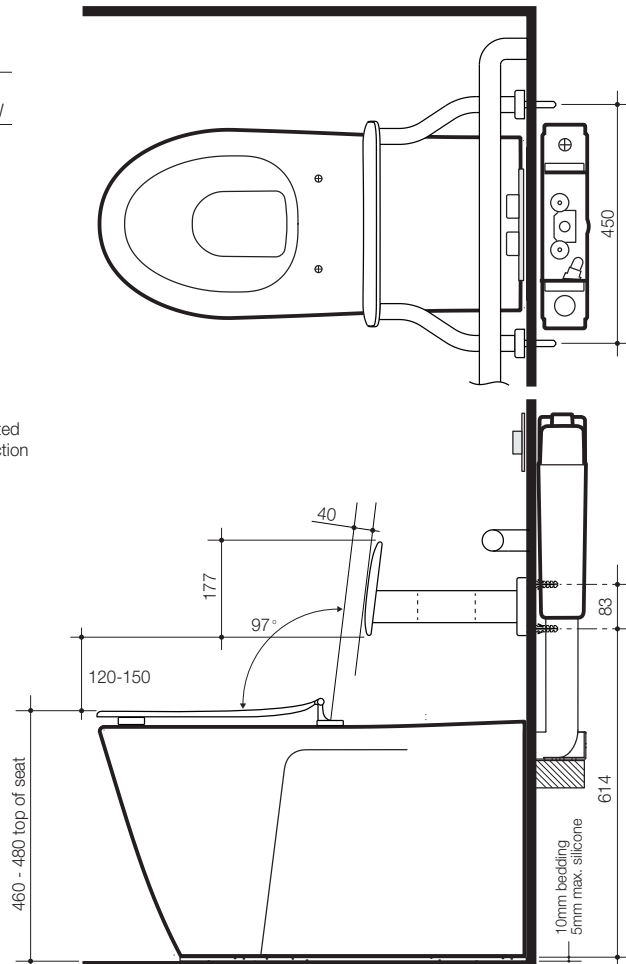
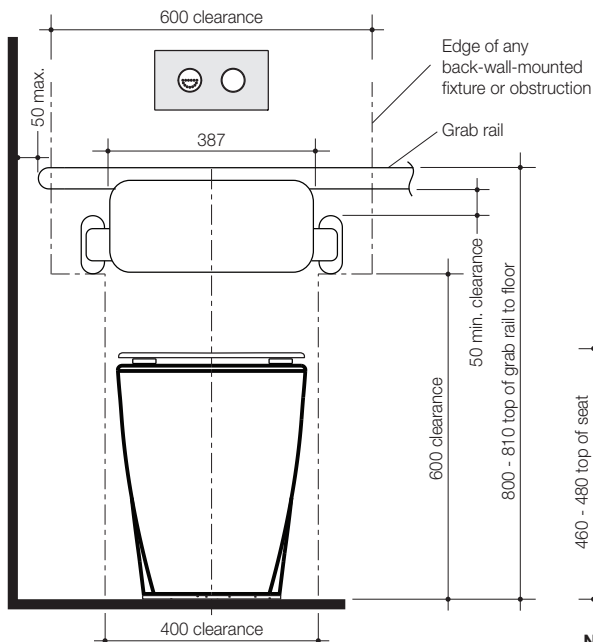
Backrest:	Code No.
Stainless steel curved arm	687400SW



Note: All height dimensions to underside of pan, make allowance for bedding.

Installation for Concealed Cistern

Backrest:	Code No.
Stainless steel curved arm	687400SW



Note: All height dimensions to underside of pan, make allowance for bedding.