

# Care 200

## Sanitary Compartment For People with Ambulant Disabilities

### 4.5/3 litre Toilet Suite



A contemporary designed 4.5/3 litre dual flush **Care 200** toilet suite installation designed to provide a raised seat height of between 460-480mm for accessible applications . The pan features a concealed trap which facilitates easy cleaning. The versatility of the **Care 200** toilet suite makes it ideal for use by both the ambulant people with disabilities and wheel-chair users including wheeled commode chairs.

- Important:** Reference must be made to **AS 1428.1-2009 with current amendments for people with ambulant disability requirements. The dimensions in this sheet may change with amendments to the standard.**
- Pan:** Trident Concealed Trap Care pan 4.5 litre full flush washdown type.
- Traps:** S-trap unvented only Code No.606310.
- Inlet:** 50mm back inlet.
- Cistern:** **Cosmo Care II 4 Star Cistern** – A one piece injection moulded tank with a removable lid. The inlet valve is the Quietflow 2 inlet valve which reduces noise during the filling cycle. **Important: Working pressure minimum 30kPa to maximum 1000kPa flow pressure. Rain water tank compliant.**
- Buttons:** Round Care Button - Plastic (supplied). Other button options sold separately. See section 16.01 for further details.
- Inlet and Overflow:** Inlet is in the RH position and is located on the underside of the cistern and is interchangeable. Overflow is internal as standard, an external overflow kit is available.
- Seats:** **Caravelle Care** seat supplied, available in Caroma White (W), Sorrento Blue (SB) and Anthracite Grey (AG). See Section 15 - SEATS for further details.
- Position of the Pan:** Refer to below illustration for specific setout dimensions for this suite to meet projection requirements for people with ambulant disabilities.
- Colours:** White only.
- Installation:** The installation of the toilet suite shall be in accordance with the normal minimum drainline grade requirements in AS/NZS 3500.2.
- Dimensions:** All dimensions are in millimetres and are subject to normal manufacturing variations. Caroma pursues a policy of continuing improvement in design and performance of its products. The right is therefore reserved to vary specifications without notice.

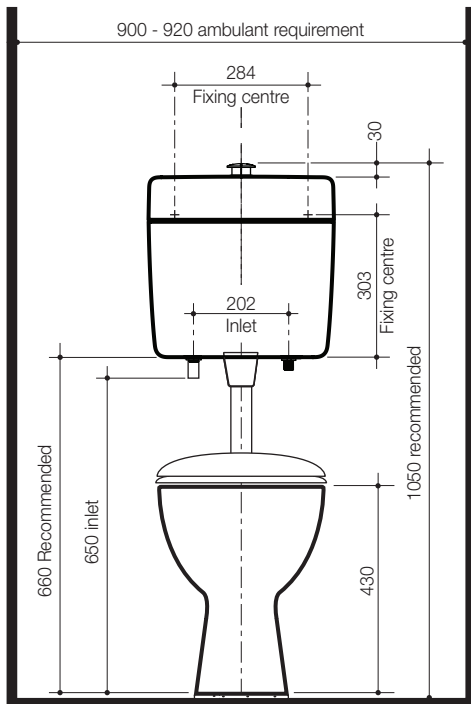


**Note: The projection requirements for people with ambulant disabilities is 610 to 660mm.**

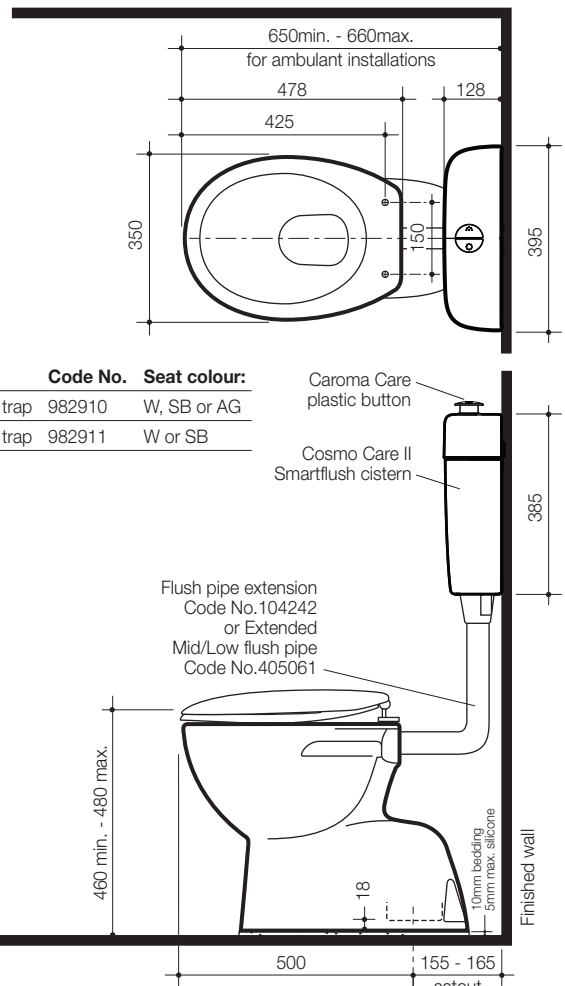
All height dimensions to underside of pan, make allowance for mortar bedding.

**Mortar bedding:** The pan should be fixed to the floor with a sand cement mixture of 3:1 to a depth of 60mm. When bedded the back of the foot of the pan should be approximately 10mm above the finished floor.

**Screw fixing:** The pan should be bedded with an acetic cured silicone sealant and fixed with corrosion resistant screws and pan guard washers. Use Caroma pan fixing kit. Code No.601150.



\* Reference must be made to the AS 1428.1-2009 Amd 1 to confirm installation requirements.



**Care 200 Toilet Suites with Caravelle Care Seat**

	Code No.	Seat colour:
Single Flap	S trap 982910	W, SB or AG
Double Flap	S trap 982911	W or SB

Caroma Care plastic button  
Cosmo Care II Smartflush cistern

Flush pipe extension  
Code No.104242  
or Extended  
Mid/Low flush pipe  
Code No.405061