

 AUSTRALIAN
STANDARD 1428.1-2009
COMPLIANT PRODUCTS



SEATS

CAROMA	15.01	COLANI - SINGLE FLAP (CAROMA WHITE)
	15.01	COLANI - DOUBLE FLAP (CAROMA WHITE)
	15.01	COLANI - SINGLE FLAP (SORRENTO BLUE)
	15.01	COLANI - DOUBLE FLAP (SORRENTO BLUE)
	15.02	COLANI - SINGLE FLAP (ANTHRACITE GREY)
	15.02	PEDIGREE II CARE - SINGLE FLAP (CAROMA WHITE)
	15.02	PEDIGREE II CARE - SINGLE FLAP (SORRENTO BLUE)
	15.02	PEDIGREE II CARE - SINGLE FLAP (ANTHRACITE GREY)
	15.03	CARAVELLE CARE - SINGLE FLAP (CAROMA WHITE)
	15.03	CARAVELLE CARE - DOUBLE FLAP (CAROMA WHITE)
	15.03	CARAVELLE CARE - SINGLE FLAP (SORRENTO BLUE)
	15.03	CARAVELLE CARE - DOUBLE FLAP (SORRENTO BLUE)
	15.04	CARAVELLE CARE - SINGLE FLAP (ANTHRACITE GREY)



Seats

Colani

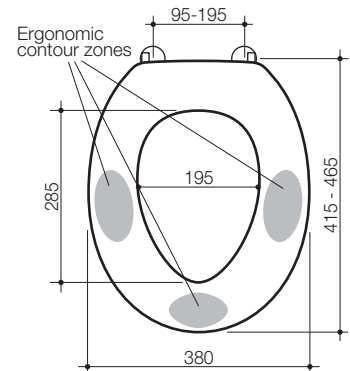


**Colani - Single Flap
(Caroma White)**

A specialised seat recommended for people with disabilities, gentle curves and ergonomic contour zones provides optimum support and stability for the pelvic region. The design is particularly suitable for people suffering from progressive muscular dystrophy. Special rotatable buffers are incorporated to give extra stability during side way transfers.

Colour: Caroma White (luminance = 79)

Colani Rehabilitation Seat	Code No.:
Single Flap, blind fixed hinge	813010W

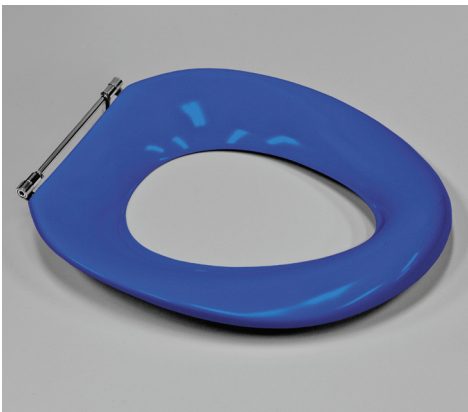
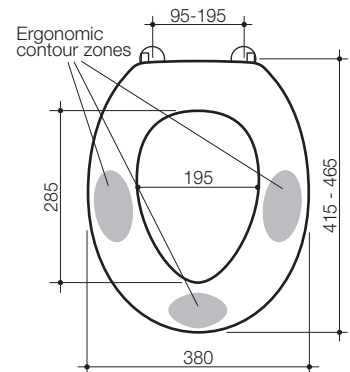


**Colani - Double Flap
(Caroma White)**

A specialised seat recommended for people with disabilities, gentle curves and ergonomic contour zones provides optimum support and stability for the pelvic region. The design is particularly suitable for people suffering from progressive muscular dystrophy. Special rotatable buffers are incorporated to give extra stability during side way transfers.

Colour: Caroma White (luminance = 79)

Colani Rehabilitation Seat	Code No.:
Double Flap, blind fixed hinge	813100W

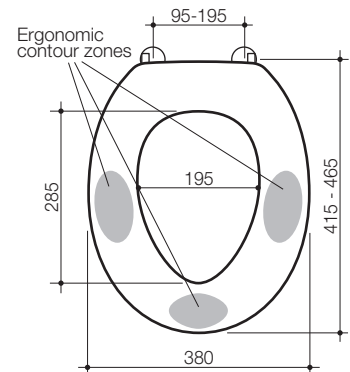


**Colani - Single Flap
(Sorrento Blue)**

A specialised seat recommended for people with disabilities, gentle curves and ergonomic contour zones provides optimum support and stability for the pelvic region. The design is particularly suitable for people suffering from progressive muscular dystrophy. Special rotatable buffers are incorporated to give extra stability during side way transfers.

Colour: Sorrento Blue (luminance = 7). Luminance contrast against Caroma White toilet suite is +80%.

Colani Rehabilitation Seat	Code No.:
Single Flap, blind fixed hinge	813010SB

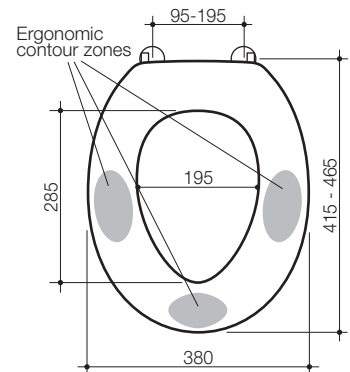


**Colani - Double Flap
(Sorrento Blue)**

A specialised seat recommended for people with disabilities, gentle curves and ergonomic contour zones provides optimum support and stability for the pelvic region. The design is particularly suitable for people suffering from progressive muscular dystrophy. Special rotatable buffers are incorporated to give extra stability during side way transfers.

Colour: Sorrento Blue (luminance = 7). Luminance contrast against Caroma White toilet suite is +80%.

Colani Rehabilitation Seat	Code No.:
Double Flap, blind fixed hinge	813100SB



Seats

Colani
Pedigree II Care
Caravelle Care

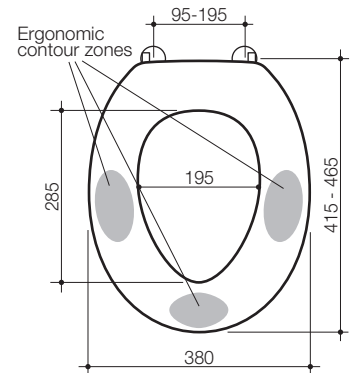


Colani - Single Flap
(Anthracite Grey)

A specialised seat recommended for people with disabilities, gentle curves and ergonomic contour zones provides optimum support and stability for the pelvic region. The design is particularly suitable for people suffering from progressive muscular dystrophy. Special rotatable buffers are incorporated to give extra stability during side way transfers.

Colour: Anthracite Grey (luminance = 12). Luminance contrast against Caroma White toilet suite is +72%.

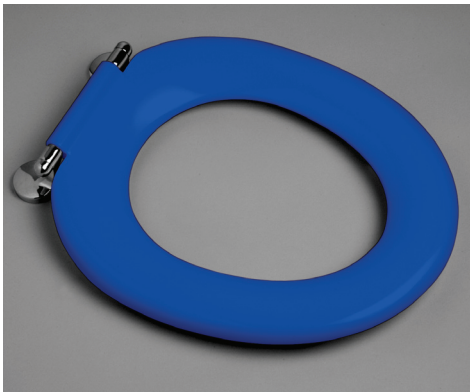
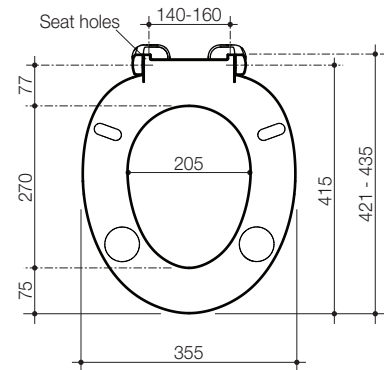
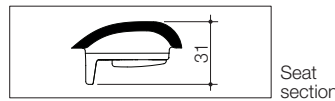
Colani Rehabilitation Seat	Code No.:
Single Flap, blind fixed hinge	813010AG



Pedigree II Care -
Single Flap (Caroma White)

A specialised single flap seat designed for people with ambulant disabilities. Features die cast metal hinges, heavy duty solid axle hinge and rotatable buffers for extra stability during sideways transfers. Blind fixings standard. Code No.320030W.

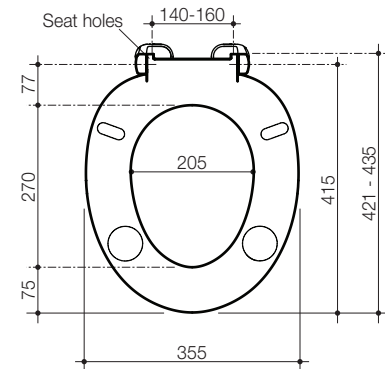
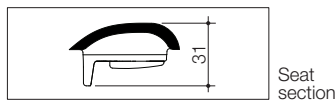
Colour: Caroma White (luminance = 79)



Pedigree II Care
- Single Flap (Sorrento Blue)

A specialised single flap seat designed for people with ambulant disabilities. Features die cast metal hinges, heavy duty solid axle hinge and rotatable buffers for extra stability during sideways transfers. Blind fixings standard. Code No.320030SB.

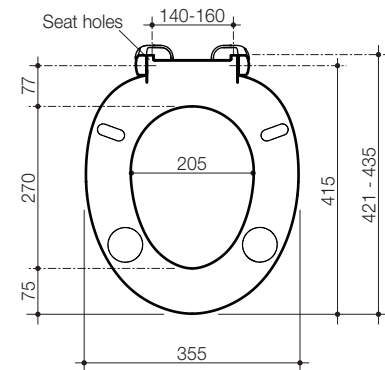
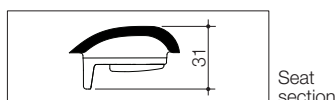
Colour: Sorrento Blue (luminance = 7). Luminance contrast against Caroma White toilet suite is +80%.



Pedigree II Care
- Single Flap (Anthracite Grey)

A specialised single flap seat designed for people with ambulant disabilities. Features die cast metal hinges, heavy duty solid axle hinge and rotatable buffers for extra stability during sideways transfers. Blind fixings standard. Code No.320030AG.

Colour: Anthracite Grey (luminance = 12). Luminance contrast against Caroma White toilet suite is +72%.



Seats

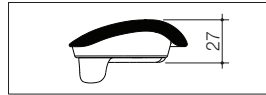
Caravelle Care



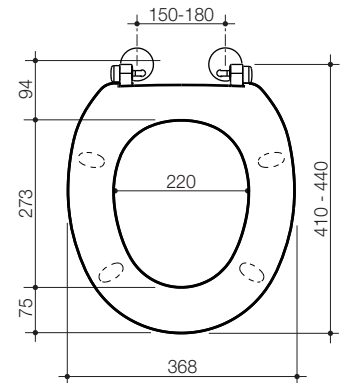
**Caravelle Care
- Single Flap (Caroma White)**

A specialised seat available in single flap version designed for people with ambulant disabilities. Featuring solid stainless steel hinges, rotatable buffers for extra stability during sideways transfers. Blind Fixings standard. Single flap Code No.254007W.

Colour: Caroma White (luminance = 79)



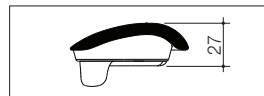
Seat section



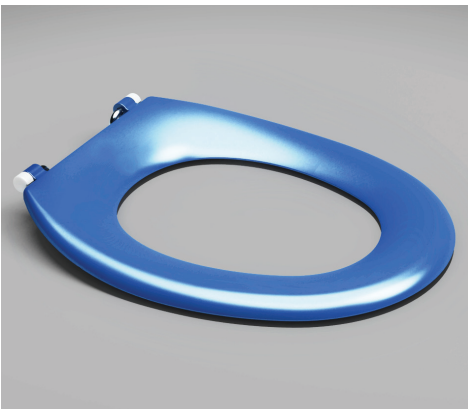
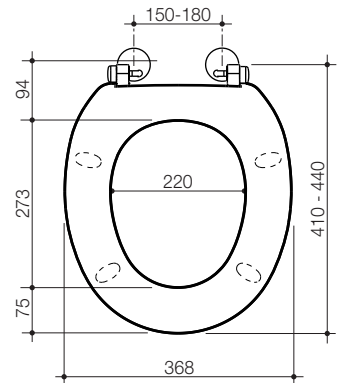
**Caravelle Care
- Double Flap (Caroma White)**

A specialised seat available in a double flap version designed for people with ambulant disabilities. Featuring solid stainless steel hinges, rotatable buffers for extra stability during sideways transfers. Blind Fixings standard. Double flap Code No.254008W.

Colour: Caroma White (luminance = 79)



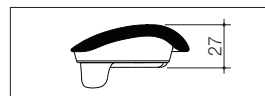
Seat section



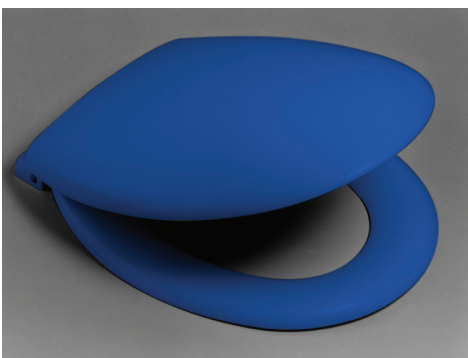
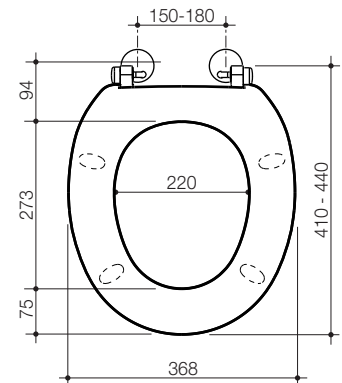
**Caravelle Care
- Single Flap (Sorrento Blue)**

A specialised seat available in single flap versions designed for people with vision impaired or dementia. Featuring solid stainless steel hinges, rotatable buffers for extra stability during sideways transfers. Blind Fixings standard. Single flap Code No.254007SB.

Colour: Sorrento Blue (luminance = 7). Luminance contrast against Caroma White toilet suite is +80%.



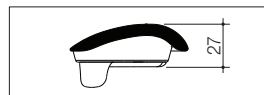
Seat section



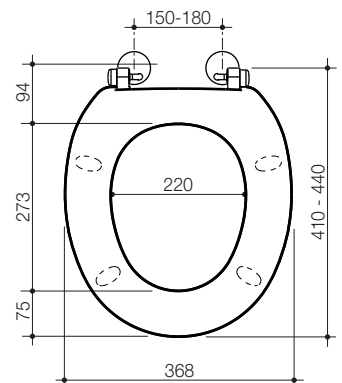
**Caravelle Care
- Double Flap (Sorrento Blue)**

A specialised seat available in a double flap version designed for people with vision impaired or dementia. Featuring solid stainless steel hinges, rotatable buffers for extra stability during sideways transfers. Blind Fixings standard. Double flap Code No. 254008SB.

Colour: Sorrento Blue (luminance = 7). Luminance contrast against Caroma White toilet suite is +80%.

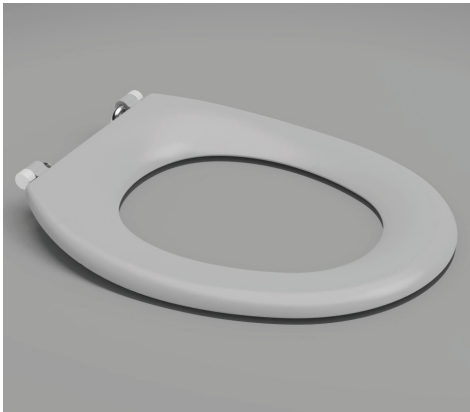


Seat section



Seats

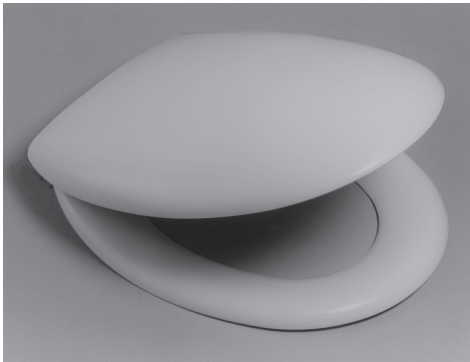
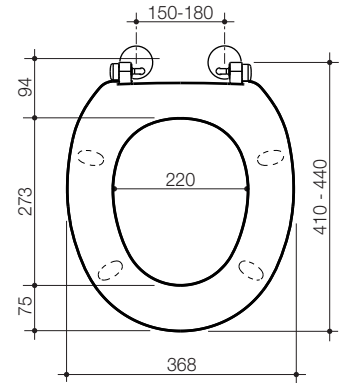
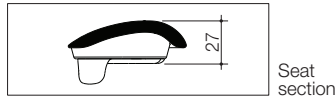
Caravelle Care



**Caravelle Care
- Single Flap (Anthracite Grey)**

A specialised seat available in a double flap version designed for people with ambulant disabilities. Featuring solid stainless steel hinges, rotatable buffers for extra stability during sideways transfers. Blind Fixings standard. Single flap Code No.254007AG.

Colour: Anthracite Grey (luminance = 12). Luminance contrast against Caroma White toilet suite is +72%.



**Caravelle Care
- Double Flap (Anthracite Grey)**

A specialised seat available in a double flap version designed for people with ambulant disabilities. Featuring solid stainless steel hinges, rotatable buffers for extra stability during sideways transfers. Blind Fixings standard. Double flap Code No.254008AG.

Colour: Anthracite Grey (luminance = 12). Luminance contrast against Caroma White toilet suite is +72%.

