

Caroma®

Concorde 500

Vitreous China Semi Recessed Vanity Basin

Nominal Size 500mm x 430mm

CI/SfB	(74.2)	g3
Date	August 2015	

Supersedes all previous issues

2.46.1



Caroma®


Concorde 500

Vitreous China Semi Recessed Vanity Basin

Basin Size: 500mm x 430mm (nominal)



Tapware shown not included.

An oval semi recessed vanity basin of compact size for greater design versatility. Particularly suitable for narrow counter tops with a minimum width of 300mm which provides a space saving bowl projection from the counter front. The **Concorde 500** basin has two soap holders. The basin is suitable for domestic, commercial and accessible applications  complying to AS 1428.1-2009 Amd. 1.*

Tap Holes: Basin available in: One taphole Code No.654210; three tapholes Code No.654230.

Waste Outlet: Chrome flush fitting waste and white plug supplied, suitable for a 40mm trap connection. Alternative waste options are available — Chrome grate waste and white plug Code No.687328C, Vandal Resistant Flush Fitting Plug and Chrome Waste Code No.687141, Covered Plug and Waste Code No.687142 and Vandal Resistant Covered Chrome Plug and Waste Code No.687143.

Bowl Capacity: 8 litres.

Overflow: Overflow not available.

Fixing: **D.250 Bracket with Tie Hooks** – Supplied. Recommended for domestic and general commercial use. Two D.250 brackets are fixed to the underside of the counter top to secure the tie hooks which anchor the back of the basin to the counter.

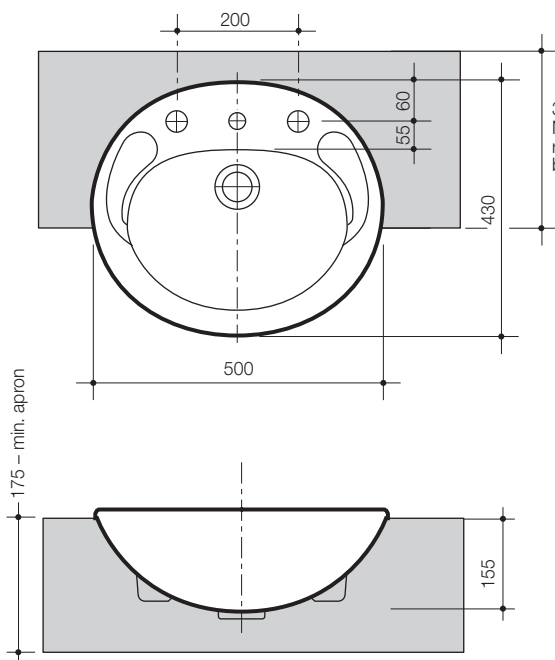
The basins must be sealed to the top and front section of the counter with an acetic cured silicone sealant. **Epoxy type glues must not be used.**

The basin is supplied with a template which must be used for the counter top cut-out.

Important: For granite or marble tops, fix two 20mm thick wooden blocks in the bracket position on the underside of the granite/marble with fast setting two part epoxy. When fully set screw the brackets into position on the wooden blocks. Other suitable fastening systems maybe used.

Colours: White only.

Dimensions: All dimensions are in millimetres and are subject to normal manufacturing variations. Caroma pursues a policy of continuing improvement in design and performance of its products. The right is therefore reserved to vary specifications without notice.



300mm Minimum benchtop.
Note: Local authorities have requirements for minimum basin to wall dimensions.

