

Caroma®

CI/SfB	(74.2)	g3
Date	July 2014	

Supersedes all previous issues

Carboni Seamless

2.12.3

Vitreous China Inset Vanity Basin

Nominal Size: 415mm x 415mm



Carboni Seamless



Tapware shown is not included.

The **Carboni Seamless** inset vanity basin offers a contemporary square style with distinctive clean lines. This range adds timeless sophistication in any bathroom. The basin is suitable for general purpose domestic and commercial applications.

Tap Holes: Basin available in: One taphole Code No.866015.

Waste Outlet: The basin has been designed for the Caroma waste outlet suitable for a 40mm trap connection. Chrome flush fitting waste and white plug supplied. Alternative waste options are available — Plug & anti-vandal flush fitting chrome waste Code No.687141C; Plug & chrome grate waste Code No.687328C; Chrome pop-up plug and waste Code No.687329C.

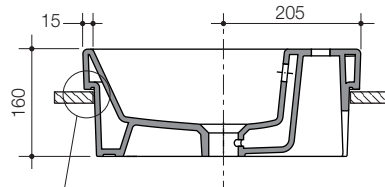
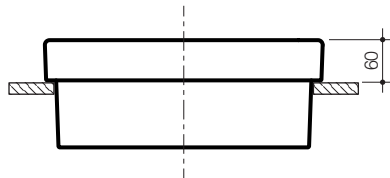
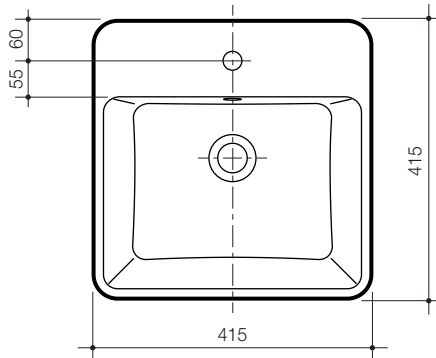
Bowl Capacity: 3 litres to overflow.

Overflow: Overflow available only. Designed for maximum tap flow rate of 15 litres/minute.

Fixing: The underside of the basin rim must be sealed to the counter top with an acetic cured silicone sealant. **Epoxy type glues must not be used.** The basin is supplied with a template which must be used for the counter top cut-out.

Colours: White only.

Dimensions: All dimensions are in millimetres and are subject to normal manufacturing variations. Caroma pursues a policy of continuing improvement in design and performance of its products. The right is therefore reserved to vary specifications without notice.



Acetic cured silicone sealant
IMPORTANT: Epoxy type
glues must not be used

