

## Product information sheet CARENA-S

Item no. 525090

### Benefits

---



- Modern premium mixer tap
- Covert extendable spray
- High arched outlet for easy filling of pots and vases
- High positioned, ergonomic control lever
- Bi-Color - the perfect colour match for SILGRANIT sink units and bowls

### Colours

---



Available colours:  
anthracite/chrome  
white/chrome

SILGRANIT Look dual finish white/chrome

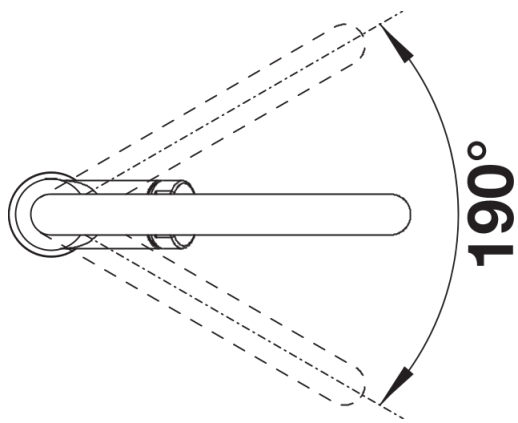
## Scope of supply

---

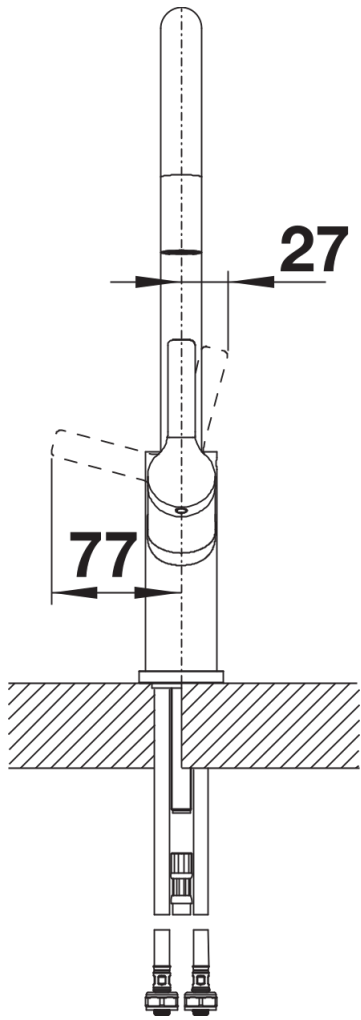
- 360° swivel spout for greater reach
- Ø 35 mm tap hole required
- With ceramic disk cartridge
- Flexible connector pipes, 680 mm long and ½"nut for particularly easy installation
- Patented jet regulator for markedly reduced scaling
- Stabilisation plate to increase the stability of the tap when fitted in stainless steel sinks

## Details

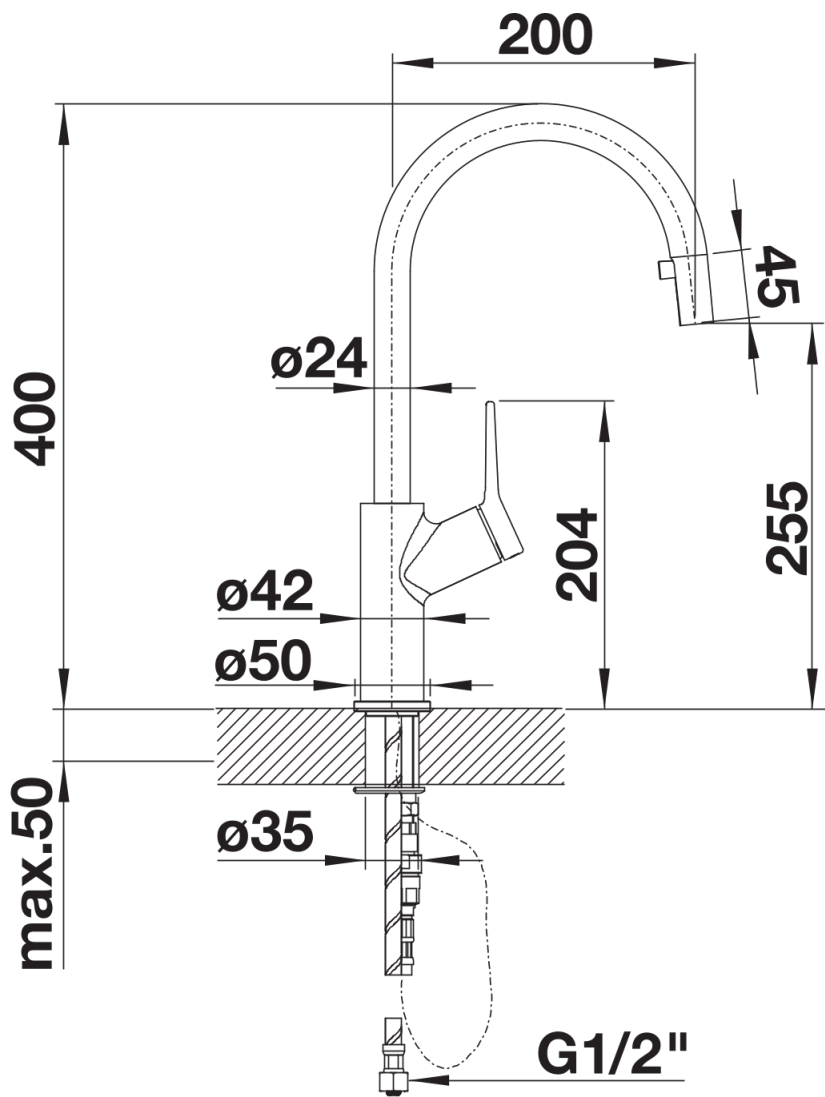
---



Swivel range



Side view hand gear 2D



Side view