

## Product information sheet ALTA-S Compact

Item no. 521506

### Benefits

---



- Slim tap in aesthetic design
- Especially suitable for compact sinks
- Extendable spray
- High-quality metal spray
- Colour version in perfect coordination with coloured SILGRANIT sinks and bowls

### Colours

---



Available colours:  
black/chrome  
anthracite/chrome  
rock grey/chrome  
white/chrome

SILGRANIT Look dual finish rock grey/chrome

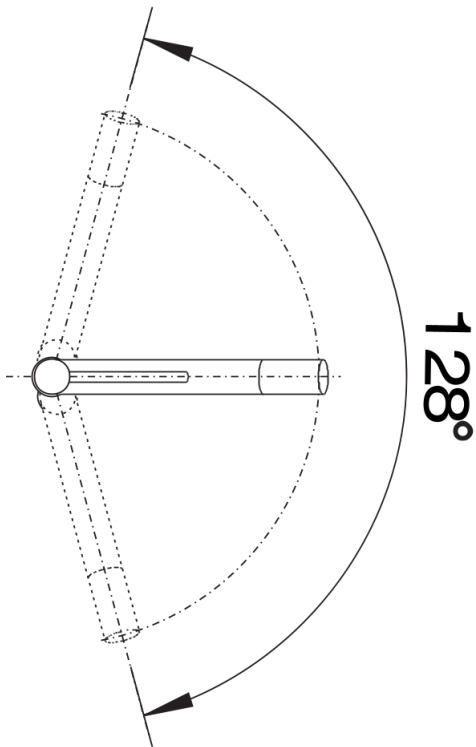
## Scope of supply

---

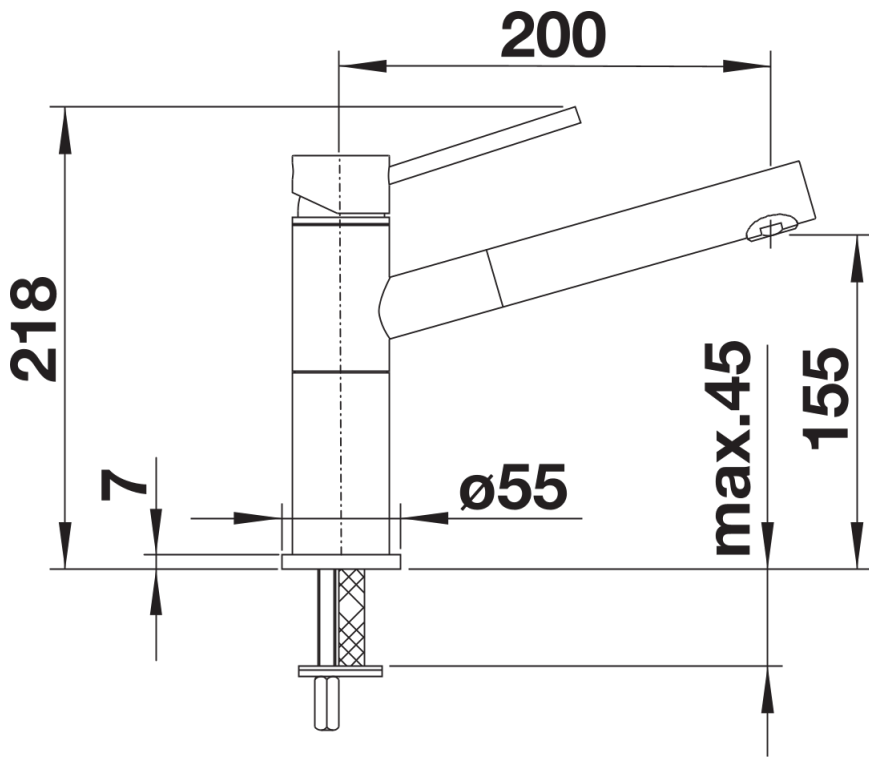
- Spout can be swivelled by 128°
- Ø 35 mm tap hole required
- With ceramic disk cartridge
- Metal-sheathed spray hose
- Flexible 650 mm connector pipes and ½" nut for particularly easy and secure installation
- Patented jet regulator for markedly reduced scaling
- Stabilisation plate to increase the stability of the tap when fitted in stainless steel sinks
- With non-return valve and thus guaranteed against reflux in accordance with EN 1717

## Details

---



Swivel range



Side view