

## Product information sheet ALTA Compact

Item no. 519362

### Benefits

---



- Slim tap in aesthetic design
- Particularly for compact sinks
- The front part of the spout can be turned, making it easier to fill bottles
- 360° swivel spout for greater reach

### Colours

---



Available colours:  
chrome

galvanic chrome

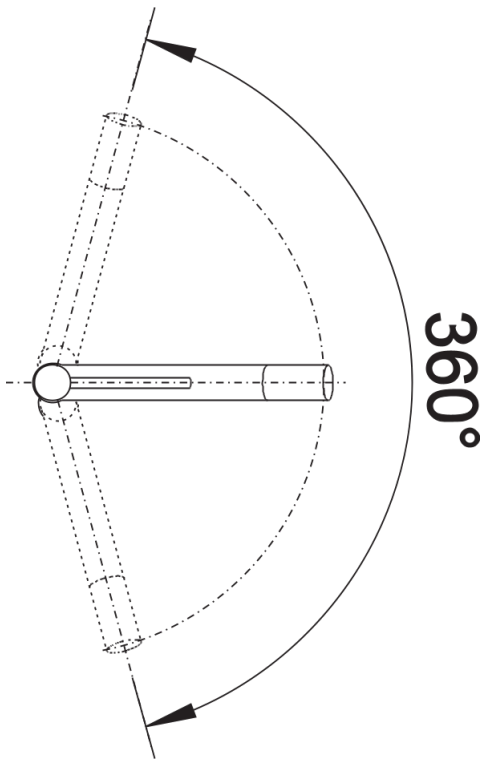
## Scope of supply

---

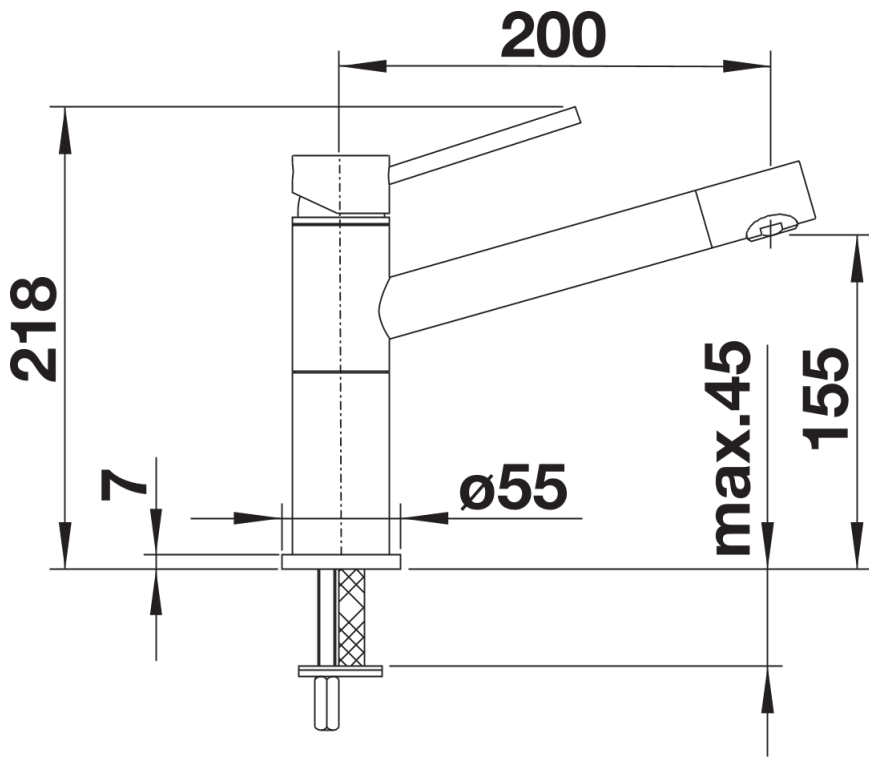
- 360° swivel spout for greater reach
- Ø 35 mm tap hole required
- With ceramic disk cartridge
- Flexible 600 mm connector pipes and ½" nut for particularly easy and secure installation
- Patented jet regulator for markedly reduced scaling
- Stabilisation plate to increase the stability of the tap when fitted in stainless steel sinks

## Details

---



Swivel range



Side view