

Product information sheet ALTA Compact

Item no. 526163

Benefits



- Slim tap in aesthetic design
- Particularly adapted for compact sinks
- The front part of the spout can be turned, making it easier to fill bottles
- 360° swivel spout for greater reach
- Colour version in perfect coordination with coloured SILGRANIT sinks and bowls

Colours



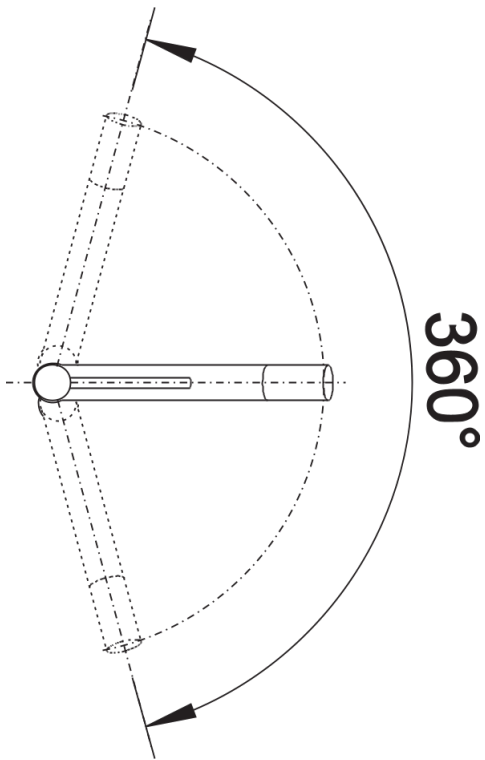
Available colours:
black/chrome
anthracite/chrome
rock grey/chrome
white/chrome

SILGRANIT Look dual finish black/chrome

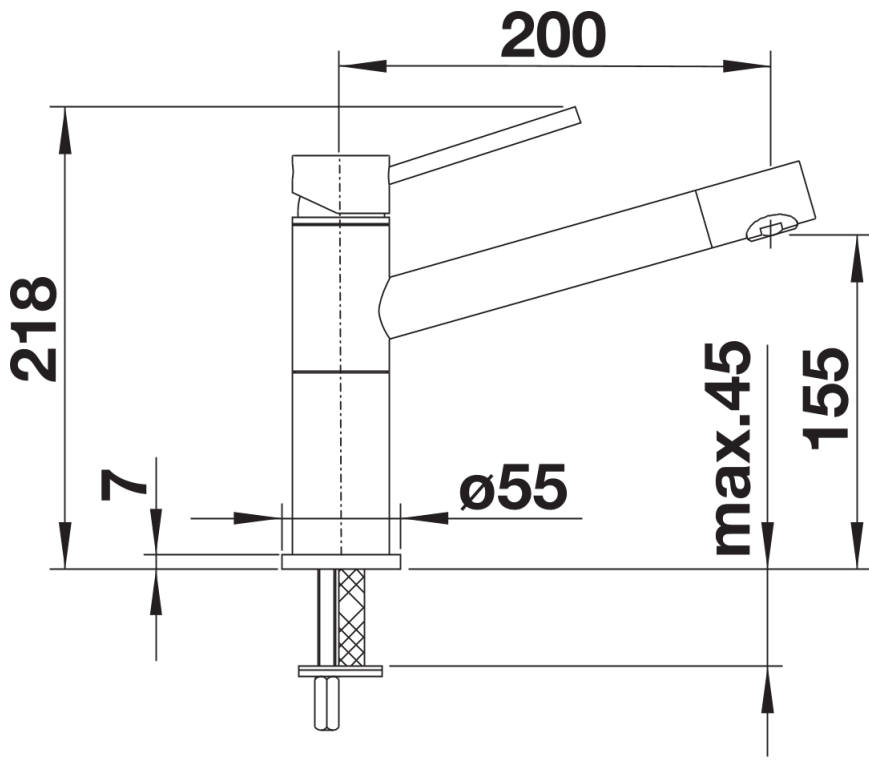
Scope of supply

- 360° swivel spout for greater reach
- Ø 35 mm tap hole required
- With ceramic disk cartridge
- Flexible 600 mm connector pipes and ½" nut for particularly easy and secure installation
- Patented jet regulator for markedly reduced scaling
- Stabilisation plate to increase the stability of the tap when fitted in stainless steel sinks

Details



Swivel range



Side view