
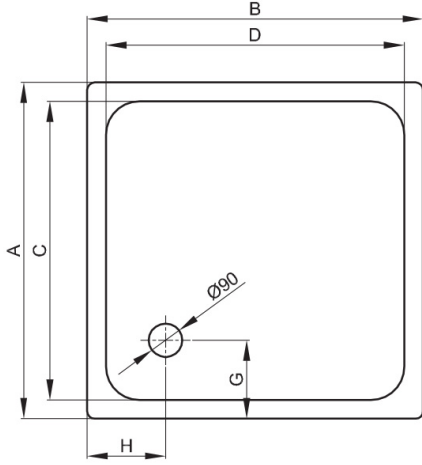


BETTE

BETTE SQUARE 900 SHOWER TRAY

Product Image								Technical Specification		
										
dimension	A	B	C	D	E	G	H	article no.	drain	
90 x 90 x 2,5 cm	900	900	800	800	25	210	210	5930	Ø 90	

Description
Bette Square 900 Shower Tray
B5930B

Additional Information
Available options: 9WA003C 80 to 50mm Waste Set
<ul style="list-style-type: none"> Includes Tiling Lip Waste Not Included
<p>Important Installation Note: Clearance required under shower tray to fit Bette or other shower waste will vary depending on installation – please see detailed installation instructions at www.argentaust.com.au or call the Argent Tech Hotline on 1800 356 717</p>

