



T208H.W.AU

Heat pump dryer

General description

T208H.W.AU
Product line: Classic
Installation type: Freestanding
Capacity: 1-8 kg
Number of programs: 10
Type of dryer: Heat pump dryer
Display type: LCD display
Anticrease
Available colour: White

Construction & Performance

- Long lasting stainless steel drum
- Single phase motor
- Heat pump
- Sensor and time controlled drying
- Drum volume: 117 l
- Butterfly drying system

Use & Flexibility

- Water container: 6 l
- Auto programs
- Removable filter
- Door diameter: 34 cm
- Door opening angle: 180 °
- Anticrease
- Time setting
- Humidity sensor

Interaction & Control

- Remaining time indicator
- Display type: LCD display
- End of programme sound signal
- Program memory

Programs, options and modes

- 10 programmes
- Auto dry
- Auto iron dry
- Auto normal dry
- Auto synthetic
- Timed drying
- Airing
- Bedding
- Refreshing program for silk and wool
- Quick Pro - effective quick program

Design & Integration

- Door opening: Reversible door opening
- Adjustable feet: 15 mm
- Tumble dryer can be mounted on top of washing machine
- Loading position: Front

Safety & Maintenance

- Lockable control panel
- Overheat protection
- Thermal and electronic protection against overheating

Technical data

- Noise level: 64 dB(A)re 1 pW
- Energy stars: 7
- Power consumption in left-on mode: 0,3 W
- Power consumption off mode: 0,3 W
- Estimated yearly energy consumption: 150 kWh
- Grounded plug
- AU plug

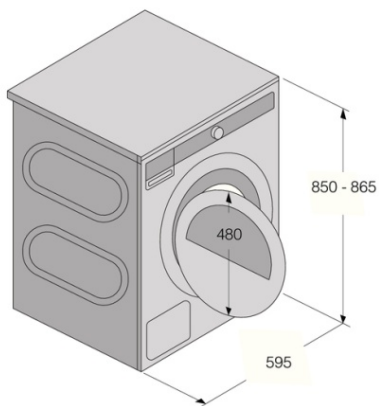
- Connection rating: 700 W
- Number of phases: 1
- Current: 10 amp
- Frequency: 50 Hz
- Net weight: 57 kg
- Yes
- Yes

Dimensions

- Product dimensions (HxWxD): 85 × 59,5 × 65,4 cm
- Depth with door open: 1165 mm
- Length electrical cord: 2,1 m

Logistic information

- Dimensions of packed product (HxWxD): 92 × 64 × 72,3 cm
- Gross weight: 61,4 kg
- Product code: 590953
- EAN code: 3838782021756



Tumble Dryer/TD75

