

# MODEL ADWFI602



## FULLY INTEGRATED DISHWASHER

MADE  
IN EUROPE24 MONTH  
WARRANTYPLACE  
SETTINGS6 WASH  
PROGRAMSTOUCH  
CONTROL

## PRODUCT INFORMATION

### FEATURES

- 13 place settings
- Metal filter
- Stainless steel tub
- 6 programs (Mini 14 jet wash, Quick 30, ECO, Super 50, Hygiene, Auto-Intensive)
- 5 wash temperatures
- Touch control operation
- Concealed heat element
- 'super active' drying system
- Overflow and leakage protection
- Asynchronous circulation pump
- Display panel featuring remaining time and time delay settings
- Adjustable upper basket
- Program selection button
- Delay timer up to 19 hours
- Foldable racks on lower basket
- Removable cutlery basket
- Half load wash option
- Wash tablet option
- Rinse aid indicator
- End of wash buzzer
- Noise level: 45db/A
- Energy rating 3 star
- Water rating 4 star
- Made in Turkey



Program	Cycle Selection	Duration (min)
<b>MINI 14'</b>	Fastest programme for lightly soiled and recently used dishes. Suitable for 4 place settings	14
<b>QUICK 30</b>	Quick wash programme for lightly soiled dishes.	30
<b>ECO</b>	coffee, milk, tea, cold meats, vegetables not kept for long	143
<b>SUPER 50'</b>	A faster programme for dishes which are used daily but are not heavily soiled.	50
<b>HYGIENE</b>	dishes with heavy soiling that have been sitting for a long time, or requiring hygienic washing	124
<b>AUTO INTENSIVE</b>	For heaviest soiled dishes	115-91

**EAN 9347777002891**

AR240519

### DISCLAIMER

Eurolinx PTY LTD, is continually seeking ways to improve the design specifications, aesthetics and production techniques of its products. As a result alterations to our products and designs take place continually. Whilst every effort is made to produce information and literature that is up to date, this brochure should not be regarded as an infallible guide to the current specifications, nor does it constitute an offer for the sale of any particular product. Product dimensions indicated in our literature is indicative only. Actual product only should be used to define dimension cut outs. Distributors, and retailers are not agents of Eurolinx and are not authorized to bind Eurolinx by any express or implied undertaking or representation.

### FOLLOW US ON:



[instagram.com/artusi\\_appliances](https://www.instagram.com/artusi_appliances)



[www.linkedin.com/company/eurolinx-pty-ltd-t-a-llve/](https://www.linkedin.com/company/eurolinx-pty-ltd-t-a-llve/)

Australia National Telephone Number 1300 (694 583) New Zealand Telephone Number 64 3 344 5913  
Artusi showroom hours: Tuesday to Friday - 9am-5pm, Saturday - 10am-4pm, Sunday and Monday - closed  
\* Melbourne showroom hours: Tuesday to Saturday - 10am-4pm

[artusi.com.au](http://artusi.com.au)

**NSW & ACT (Head Office)**  
48-50 Moore Street  
Leichhardt  
F 02 8569 4699

**VIC & SA**  
1211 Toorak Road  
Camberwell  
F 03 9809 2155

**QLD**  
1/42 Cavendish Road  
Coorparoo  
F 07 3397 0850

**WA & NT**  
Unit 10/55 Howe Street  
Osborne Park  
F 08 9201 9188

**New Zealand**  
PO Box 11,160  
Sockburn Christchurch  
F 03 344 5906

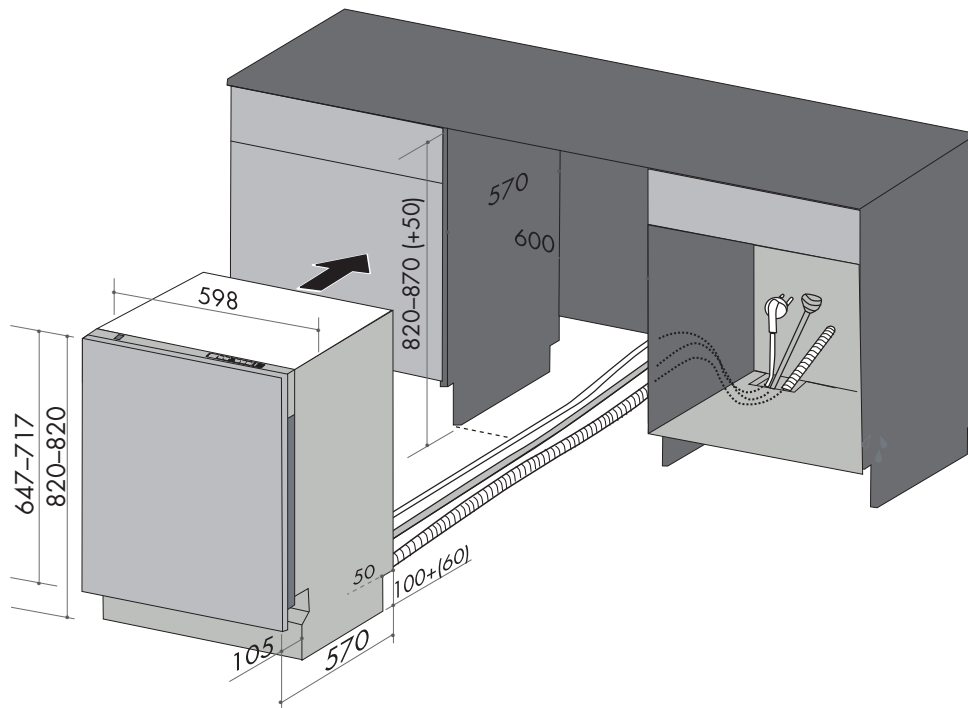
# MODEL ADWFI602



## FULLY INTEGRATED DISHWASHER

MADE  
IN EUROPE24 MONTH  
WARRANTYPLACE  
SETTINGS6 WASH  
PROGRAMSTOUCH  
CONTROL

## TECHNICAL DIAGRAM



NB: drawings are not to scale — they are to be used for detailed installation instructions, please refer to user guide.

**EAN 347777002891**

AR240519

### DISCLAIMER

Eurolinx PTY LTD, is continually seeking ways to improve the design specifications, aesthetics and production techniques of its products. As a result alterations to our products and designs take place continually. Whilst every effort is made to produce information and literature that is up to date, this brochure should not be regarded as an infallible guide to the current specifications, nor does it constitute an offer for the sale of any particular product. Product dimensions indicated in our literature is indicative only. Actual product only should be used to define dimension cut outs. Distributors, and retailers are not agents of Eurolinx and are not authorized to bind Eurolinx by any express or implied undertaking or representation.

ADWFI602 Fully integrated dishwasher  
Size: H820mm(+50mm adjustable) x W598mm x D550mm  
Power cord length: 1.65m  
Water hose 145mm, drain hose 180mm  
10AMP plug & lead

**FOLLOW US ON:**  [instagram.com/artusi\\_appliances](https://www.instagram.com/artusi_appliances)

 [www.linkedin.com/company/eurolinx-pty-ltd-t-a-lve/](https://www.linkedin.com/company/eurolinx-pty-ltd-t-a-lve/)

Australia National Telephone Number 1300 (694 583) New Zealand Telephone Number 64 3 344 5913  
Artusi showroom hours: Tuesday to Friday - 9am-5pm, Saturday - 10am-4pm, Sunday and Monday - closed  
\* Melbourne showroom hours: Tuesday to Saturday - 10am-4pm

[artusi.com.au](https://www.artusi.com.au)

**NSW & ACT (Head Office)**  
48-50 Moore Street  
Leichhardt  
F 02 8569 4699

**VIC & SA**  
1211 Toorak Road  
Camberwell  
F 03 9809 2155

**QLD**  
1/42 Cavendish Road  
Coorparoo  
F 07 3397 0850

**WA & NT**  
Unit 10/55 Howe Street  
Osborne Park  
F 08 9201 9188

**New Zealand**  
PO Box 11,160  
Sockburn Christchurch  
F 03 344 5906