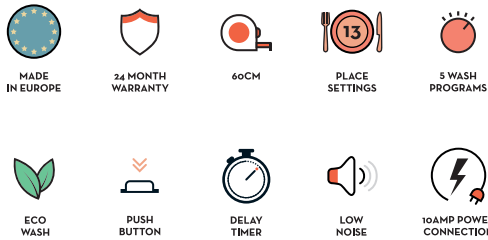


# Freestanding Dishwasher



**MODEL ADW5002X/1**  
**MODEL ADW5002W/1**  
**MODEL ADW5002B**

ADW5002X/1



ADW5002W/1

ADW5002B



## PRODUCT INFORMATION

### FINISH

- Stainless Steel (door) & painted grey control panel
- Black painted steel (door) & painted black control panel
- White painted steel (door) & painted white control panel
- Plastic colour matched lid

### CAPACITY

- 13 place setting

### PROGRAMS

- 5 wash programs (Quick 30, Delicate, ECO, Super 50, Intensive)
- Half load wash option

### SAFETY

- Overflow and leakage protection
- Child lock

### FEATURES

- Metal filter

- Stainless steel tub
- 3 wash temperatures
- Concealed heat element
- 'mini active' drying system
- Asynchronous circulation pump
- Start/Pause button
- Reset function (incase of accidental start)
- Program selection: button control
- Extra dry option
- Half wash
- Red light display
- Wine glass option (3 positions)
- Foldable racks on lower basket
- Removable cutlery basket
- Delay timer 3, 6, 9 hours
- Rinse aid indicator
- Washing cycle indicator
- Adjustable upper basket
- Noise level: 49db/A
- Made in Turkey

**ADW5002B EAN 9347777005311**  
**ADW5002W/1 EAN 9347777005373**  
**ADW5002X/1 EAN 9347777005304**



AR17082023

### DISCLAIMER

Eurolinx PTY LTD, is continually seeking ways to improve the design specifications, aesthetics and production techniques of its products. As a result alterations to our products and designs take place continually. Whilst every effort is made to produce information and literature that is up to date, this brochure should not be regarded as an infallible guide to the current specifications, nor does it constitute an offer for the sale of any particular product. Product dimensions indicated in our literature is indicative only. Actual product only should be used to define dimension cut outs. Distributors, and retailers are not agents of Eurolinx and are not authorised to bind Eurolinx by any express or implied undertaking or representation.

**FOLLOW US ON:** [/artusi\\_kitchen\\_laundry\\_outdoor](https://www.instagram.com/artusi_kitchen_laundry_outdoor)

Australia National Telephone Number 1300 MYILVE (694 583) New Zealand Telephone Number 0508 458 369  
ILVE showrooms are open daily from 9am-5pm and Saturdays 10am-4pm

[artusi.com.au](http://artusi.com.au)

**NSW & ACT (Head Office)**  
48-50 Moore Street  
Leichhardt  
F 02 8569 4699

**Victoria**  
2r/131 Church Street  
Hawthorn

**QLD**  
1/42 Cavendish Road  
Coorparoo

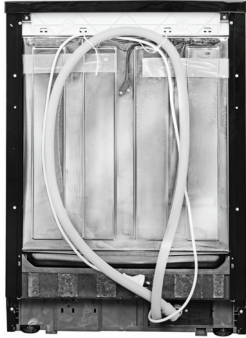
**WA & NT**  
Unit 10/55 Howe Street  
Osborne Park

**New Zealand**  
PO Box 11,160  
Sockburn Christchurch

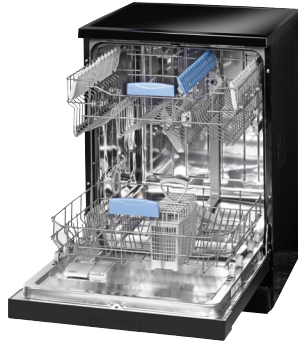
# Freestanding Dishwasher

**MODEL ADW5002X/1**  
**MODEL ADW5002W/1**  
**MODEL ADW5002B**

## TECHNICAL DIAGRAM



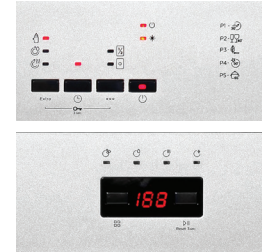
ADW5002B - REAR



ADW5002B - INTERNAL

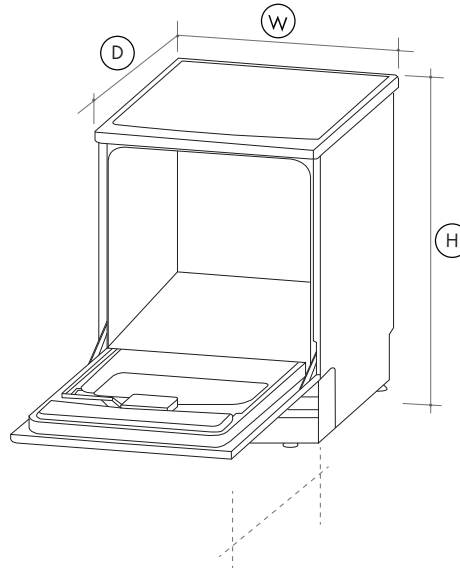


ADW5002B - WATER INLET



ADW5002X - PANEL

**W** 598mm  
**H** 850mm  
**D** 598mm



NB: drawings are not to scale — they are to be used for detailed installation instructions, please refer to user guide.

**ADW5002B EAN 9347777005311**  
**ADW5002W/1 EAN 9347777005373**  
**ADW5002X/1 EAN 9347777005304**

AR17082023

Technical Information ADW5002

Size(mm): 598mm W x 850mm H x 598mm D Weight(kg): 41

Energy consumption: 299 kWh/year

Water consumption: 12.8 L/wash

Drain hose: 180cm, Water inlet: 150cm, Power lead: 170cm

Electrical Connection: 10AMP GPO

### DISCLAIMER

Eurolinx PTY LTD, is continually seeking ways to improve the design specifications, aesthetics and production techniques of its products. As a result alterations to our products and designs take place continually. Whilst every effort is made to produce information and literature that is up to date, this brochure should not be regarded as an infallible guide to the current specifications, nor does it constitute an offer for the sale of any particular product. Product dimensions indicated in our literature is indicative only. Actual product only should be used to define dimension cut outs. Distributors, and retailers are not agents of Eurolinx and are not authorised to bind Eurolinx by any express or implied undertaking or representation.

**FOLLOW US ON:**  [/artusi\\_kitchen\\_laundry\\_outdoor](https://www.instagram.com/artusi_kitchen_laundry_outdoor)

Australia National Telephone Number 1300 MYILVE (694 583) New Zealand Telephone Number 0508 458 369  
ILVE showrooms are open daily from 9am-5pm and Saturdays 10am-4pm

[artusi.com.au](http://artusi.com.au)

**NSW & ACT (Head Office)**  
48-50 Moore Street  
Leichhardt  
F 02 8569 4699

**Victoria**  
2r/131 Church Street  
Hawthorn

**QLD**  
1/42 Cavendish Road  
Coorparoo

**WA & NT**  
Unit 10/55 Howe Street  
Osborne Park

**New Zealand**  
PO Box 11,160  
Sockburn Christchurch