

### MODEL AFG913X 90CM ELECTRIC FREESTANDING COOKER



## PRODUCT INFORMATION

### OVEN FEATURES

- Stainless Steel
- Knob Control Thermostat with 0-240 °C
- easy-to-clean flat glass inner door
- removable oven door
- 1 x oven cavity light (halogen globe, top left placement)
- digital timer & clock
- minute minder

### FUNCTIONS

- 9 cooking functions- light, top & bottom element, top element only, bottom element only, grill, fan grill, fan assist, fan forced, defrost

### SAFETY

- triple-glazed glass door

### CAPACITY & INTERIOR

- Cavity capacity- 110 litres gross
- 4 cooking levels
- cavity cooling fan
- black enamel cavity

### ACCESSORIES

- deep baking tray + 1 wire oven rack
- Supplied with removable & adjustable feet
- Supplied with removable mini splashback
- Drop-down storage compartment
- Optional pick plate available- AFG913KP

### COOKTOP FEATURES

- cast-iron trivets and burner caps
- cast-iron wok cradle
- single-piece pressed hob for easy cleaning
- deep pressed hob

### BURNERS

- 5 gas burners:
  - 1 x auxillary: 3.80 MJ/h
  - 2 x semi-rapid: 7 MJ/h
  - 1 x rapid: 11 MJ/h
  - 1 x centre WOK placement: 12 MJ/h
  - total gas consumption: 40.80 MJ/h

### SAFETY

- automatic electronic ignition
- flame failure safety device fitted to each burner



Kick plate available: AFG913KP  
Sold separately



**EAN 9347777003225**

AR210421

### DISCLAIMER

Eurolinx PTY LTD, is continually seeking ways to improve the design specifications, aesthetics and production techniques of its products. As a result alterations to our products and designs take place continually. Whilst every effort is made to produce information and literature that is up to date, this brochure should not be regarded as an infallible guide to the current specifications, nor does it constitute an offer for the sale of any particular product. Product dimensions indicated in our literature is indicative only. Actual product only should be used to define dimension cut outs. Distributors, and retailers are not agents of Eurolinx and are not authorized to bind Eurolinx by any express or implied undertaking or representation.

**FOLLOW US ON:** [instagram.com/artusi\\_appliances](https://www.instagram.com/artusi_appliances)

[www.linkedin.com/company/eurolinx-pty-ltd-t-a-lve/](https://www.linkedin.com/company/eurolinx-pty-ltd-t-a-lve/)

Australia National Telephone Number 1300 (694 583) New Zealand Telephone Number 64 3 344 5913  
Artusi showroom hours: Tuesday to Friday - 9am-5pm, Saturday - 10am-4pm, Sunday and Monday - closed  
\* Melbourne showroom hours: Tuesday to Saturday - 10am-4pm

[artusi.com.au](http://artusi.com.au)

**NSW & ACT (Head Office)**  
48-50 Moore Street  
Leichhardt  
F 02 8569 4699

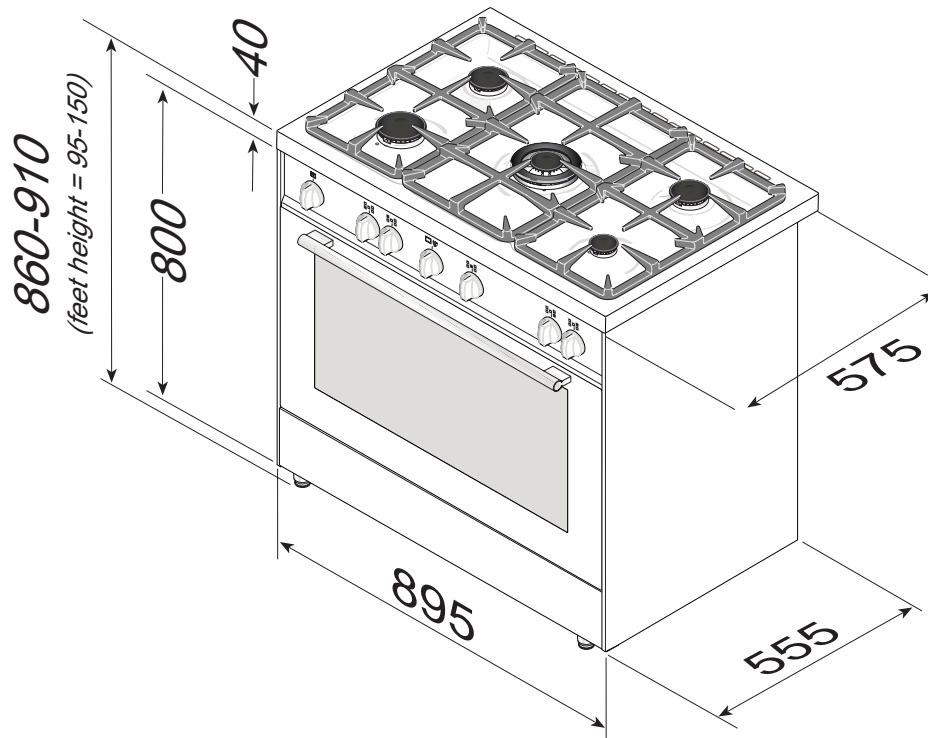
**QLD**  
1/42 Cavendish Road  
Coorparoo  
F 07 3397 0850

**WA & NT**  
Unit 10/55 Howe Street  
Osborne Park  
F 08 9201 9188

**New Zealand**  
PO Box 11,160  
Sockburn Christchurch  
F 03 344 5906

## MODEL AFG913X 90CM ELECTRIC FREESTANDING COOKER

### TECHNICAL DIAGRAM



NB: drawings are not to scale — they are to be used for detailed installation instructions, please refer to user guide.

**EAN 9347777003225**

AR210421

#### DISCLAIMER

Eurolinx PTY LTD, is continually seeking ways to improve the design specifications, aesthetics and production techniques of its products. As a result alterations to our products and designs take place continually. Whilst every effort is made to produce information and literature that is up to date, this brochure should not be regarded as an infallible guide to the current specifications, nor does it constitute an offer for the sale of any particular product. Product dimensions indicated in our literature is indicative only. Actual product only should be used to define dimension cut outs. Distributors, and retailers are not agents of Eurolinx and are not authorized to bind Eurolinx by any express or implied undertaking or representation.

AFG913X Electric Freestanding Cooker

Power lead supplied

1.5m power lead

Electrical load: 3.6kW

**FOLLOW US ON:**  [instagram.com/artusi\\_appliances](https://www.instagram.com/artusi_appliances)

 [www.linkedin.com/company/eurolinx-pty-ltd-t-a-llve/](https://www.linkedin.com/company/eurolinx-pty-ltd-t-a-llve/)

Australia National Telephone Number 1300 (694 583) New Zealand Telephone Number 64 3 344 5913  
Artusi showroom hours: Tuesday to Friday - 9am-5pm, Saturday - 10am-4pm, Sunday and Monday - closed  
\* Melbourne showroom hours: Tuesday to Saturday - 10am-4pm

[artusi.com.au](https://www.artusi.com.au)

**NSW & ACT (Head Office)**  
48-50 Moore Street  
Leichhardt  
F 02 8569 4699

**QLD**  
1/42 Cavendish Road  
Coorparoo  
F 07 3397 0850

**WA & NT**  
Unit 10/55 Howe Street  
Osborne Park  
F 08 9201 9188

**New Zealand**  
PO Box 11,160  
Sockburn Christchurch  
F 03 344 5906