






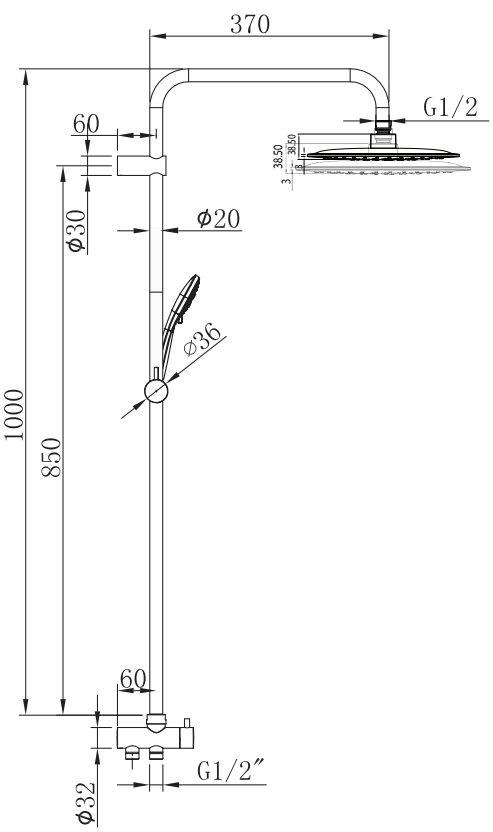




METRO TWIN HOSE SHOWER SYSTEM

Product Image	Technical Specification
 <div data-bbox="475 504 609 1321"> <ul style="list-style-type: none">  Rain  Massage  Fusion  CleanEase  OneTouch  EasyInstall </div>	

Description

Metro Twin Hose Shower System
 WELS 3 Star / 9 Lpm
 Adjustable Rail
 100mmØ 3 Function Handpiece
 230mmØ Round Overhead
 2x 1500mm Hose

SST208301

Additional Information

- 15 Year Warranty*



* Conditions Apply

