
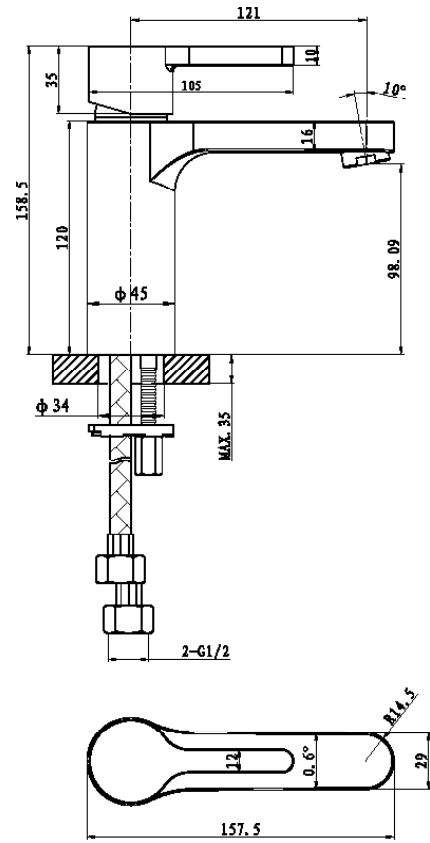





STRATA BASIN MIXER

| Product Image | Technical Specification |
|--|---|
|  |  |

| Description |
|---|
| <p>Strata Basin Mixer WELS 5 Star / 6Lpm</p> <p>BM220401 Basin Mixer</p> |

| Additional Information |
|--|
| <ul style="list-style-type: none"> • 35mm European Ceramic Cartridge • Quality PEX Connection Hoses • Superior Flow Regulator • 15 Year Replacement Warranty* <div style="display: flex; justify-content: space-around; align-items: center;">   </div> |

