



Pace Tall Basin Mixer

Brushed Gold

Product Image



Product Details

Code:	BM222604BG
Brand:	Argent
Range:	Pace
Warranty:	15 Years*
WELS:	5 Star 6.0 LPM, Reg #: T28442 (V)

Additional Features

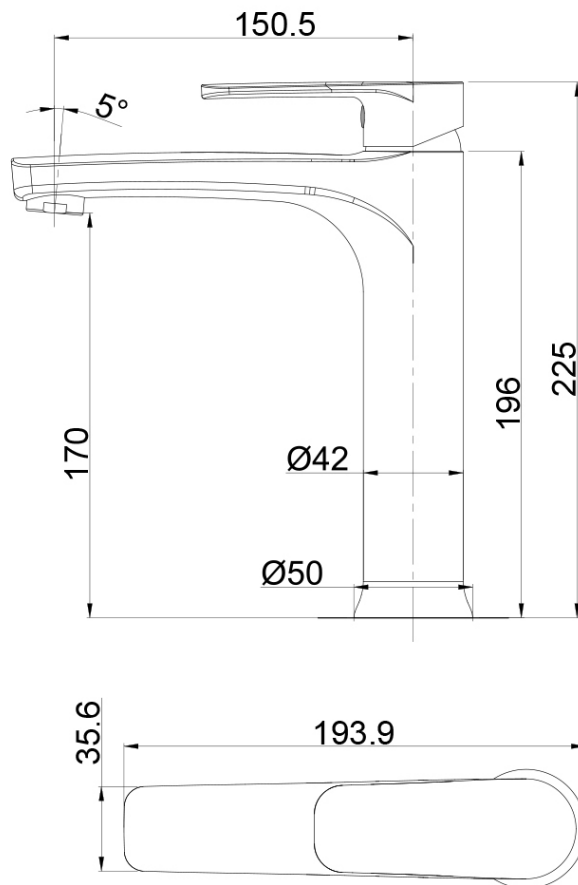
Required Product

Recommended Products

Additional Notes

- 35mm European Ceramic Cartridge | Quality PEX Connection Hoses | Superior Flow Regulator

Technical Specification



*Please visit argentaust.com.au/warranty to view the full warranty

Note: All dimensions are in millimetres and are subject to normal manufacturing variations. Always use the physical product measurements for cut-outs and rough-ins as the technical details shown may differ from the actual product. Use acetic cured silicone sealant. Do not use epoxy type adhesives. Clean with damp cloth. Do not use abrasive cleaners, liquids or pastes.

