

Grace 450 Single Sink 1th

White | 1 Tap Hole

Product Image



Product Details

Code:	KS5045400WH
Brand:	Argent
Range:	Grace
Warranty:	15 Years*
Product Width:	450 mm
Product Height:	500 mm
Product Depth:	200 mm
Litre Capacity:	28 L

Additional Features

Technical Specification

Required Product

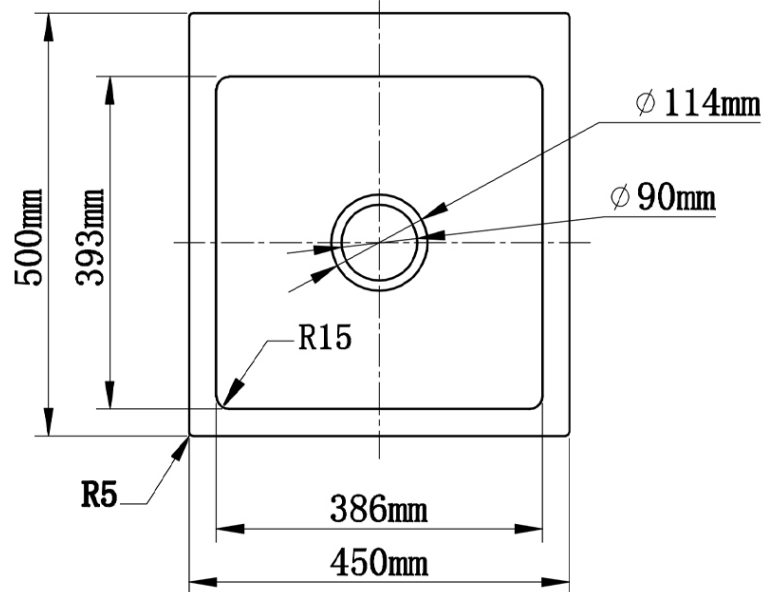
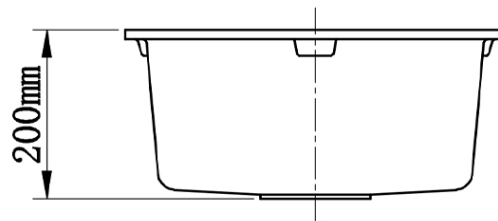
Recommended Products

Additional Notes

- Durable
- Stain & bacteria resistant
- 11-114-61 waste included

Installation Instructions

- * Top Mount
- * Flexible sealant only



*Please visit argentaust.com.au/warranty to view the full warranty

Note: All dimensions are in millimetres and are subject to normal manufacturing variations. It is recommended to use the physical product measurements for cut-outs and rough-ins as the technical details shown may differ from the actual product. Use acetic cured silicone sealant. Do not use epoxy type adhesives. Clean with damp cloth. Do not use abrasive cleaners, liquids or pastes.