
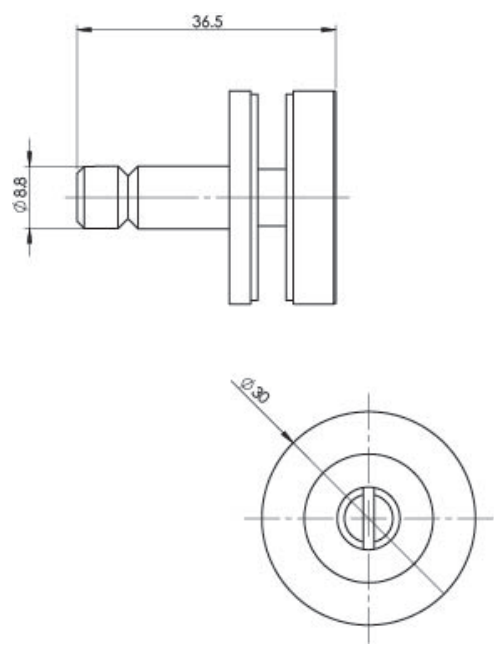




FOCAL GLASS PANEL COVER PLATE + CONNECTOR

Product Image	Technical Specification
	

Description
<p>Focal Glass Panel Cover Plate + Connector</p> <p>AG3000F</p>

Additional Information
<ul style="list-style-type: none"> • Chrome Plated • For mounting onto 6-10mm glass or acrylic panels • 10 mm Ø holes required. • To be used for mounting Focal accessory components

