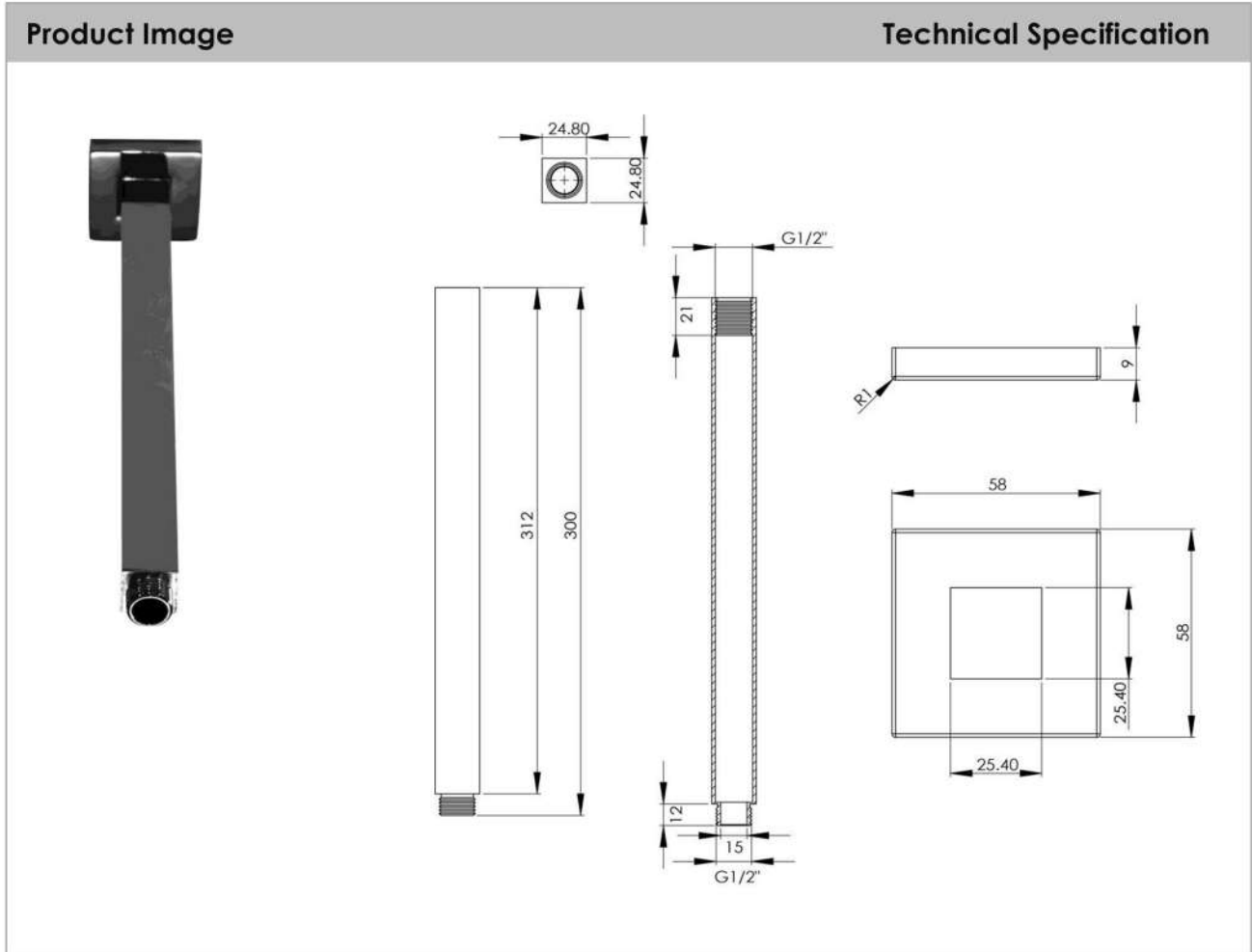




# SQUARE CEILING SHOWER ARM



Description
<p>Argent Square Ceiling Arm</p> <p><b>231615-300</b>    300mm (with Square flange)</p>

Additional Information
<ul style="list-style-type: none"> <li>• 3 Year Warranty *Conditions Apply</li> </ul>

