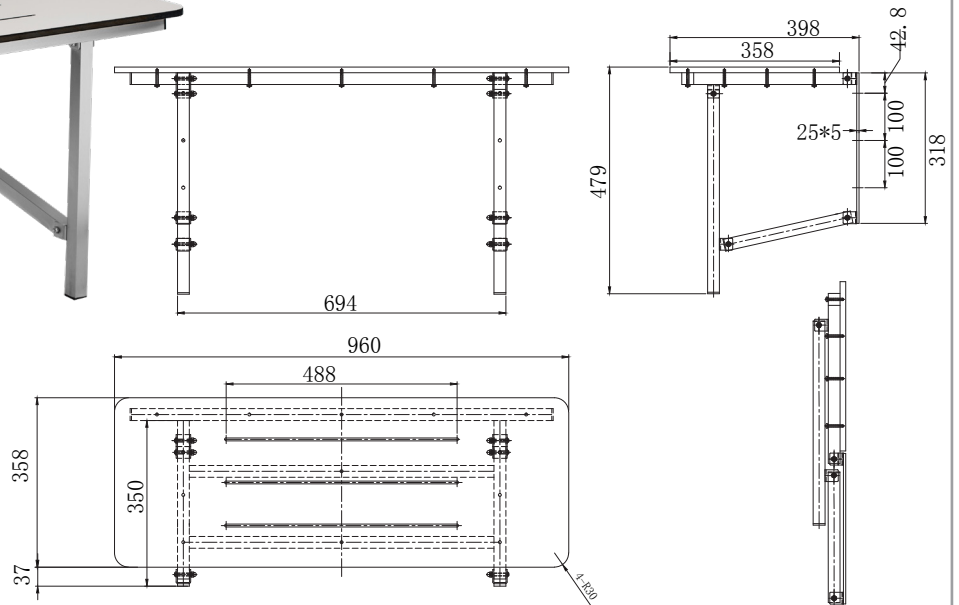




PWD SHOWER SEAT 960 X 400

Product Image	Technical Specification
---------------	-------------------------



This product generally meets the requirements of 1428.1, Approved SS fixings should be used into solid substrate.

Description

PWD Shower Seat 960 x 400

SE04-01

Additional Information

- 2 Year Warranty*



* Conditions Apply

