

4 zone ceramic hob including 1 triple and 1 extended zone.



## Product Details

### FEATURES

DirekTouch™ controls

Automax

3 level residual heat indication

Oko timer

Function Safety Lock

Extended Cooking Zones

Highlight zones

Minute Minder

Auto Heat-up Function

Stainless Steel Frame

Stop + Go: to reduce to warm setting if interrupted

### BENEFITS

#### Highlight zones

A variety of different sized zones, including one triple and one multipurpose zone.

#### Extended Cooking Zones

Extended cooking zones are larger areas of an element which can be activated when using larger pots and pans. The extended element offers a larger cooking area and additional heat for all your cooking needs.

#### Oko Timer

The Oko Timer is an intelligent way for you to use your resources more efficiently. When you pre-set the cooking time on the cooktop, the timer works out precisely when to switch off in order to finish cooking the dish using the cooktops residual heat. The result? The same high quality food to help lower energy bills.

#### Perfect Control

Gives you instant access to your cooktops and immediate control to select the precise level you need, all at the touch of a finger.

#### Stop + Go

The Stop+Go function gives you even greater control while cooking. When you suddenly need to interrupt your cooking, simply activate Stop+Go, and the function will switch all of the active zones to keep warm. When you are ready, touch the Stop+Go button again and all the zones return to their previous settings.

## Specifications

### PRODUCT PROFILE

Domestic warranty details (yrs)	5
Cooktop type	ceramic
Materials/Colour	black ceramic glass
Trim finish	stainless steel

### CONTROLS

Controls of Cooktops	DirekTouch
Position of controls	right front
Functions of Cooktops	stop and go,Keep warm function,automatic switch off,AutoMax automatic heat up
Indicators/display	fault indicator,3 level residual heat indicator
Features of Cooktop	minute minder,function lock,sound off,snap in fastening system
Timer of Cooktop	Oko timer,CountUp

### DIMENSIONS

Total product width (mm)	576
Total product depth (mm)	516
Cut out width (mm)	560
Cut out depth (mm)	490

### ELEMENTS/BURNERS

#### LEFT FRONT ZONE

Left front zone	ceramic triple
Left front Watts	2300
Left front number of cooking zones	3

## LEFT REAR ZONE

Left rear zone	ceramic
Left rear watts	1200
Left rear number of cooking zones	1

## RIGHT FRONT ZONE

Right front zone	ceramic
Right front Watts	1200
Right front number of cooking zones	1

## RIGHT REAR ZONE

Right rear zone	ceramic extended
Right rear watts	2400
Right rear number of cooking zones	1

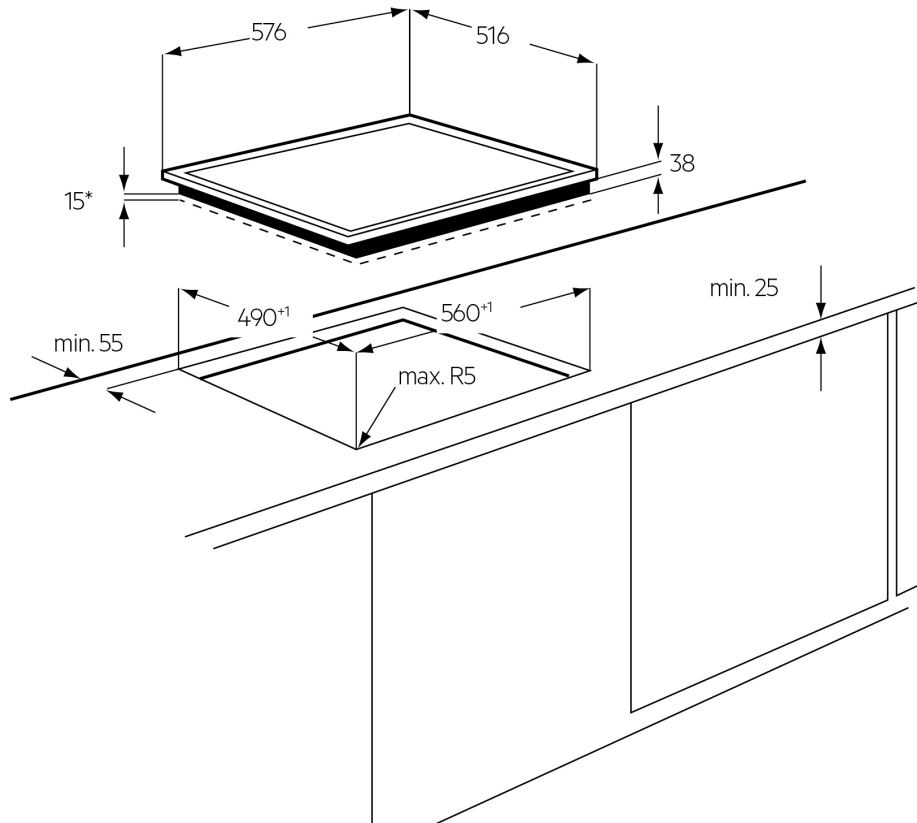
## ELECTRICAL SPECIFICATIONS

Connected load KW	7.1
Type of connection	hardwired

## SHIPPING

Shipping Volume (m3)	0.048
Shipping Weight (Kg)	9.3
Pack Dimensions Height (mm)	118
Pack Dimension Width (mm)	678
Pack Dimension Depth (mm)	600

## Dimensions



**IMPORTANT**

These dimensions are a guide only. All measurements are in millimetres (mm).  
For complete installation instructions, refer to the manual provided with product.

## Terms and Conditions

### IMPORTANT

This is a guide of product dimensions only. For complete installation instructions, refer to the manual provided with product.

### PRODUCT INFORMATION

The descriptors and illustrations in this publication apply to the specific products and models described as at the date of issue. Under our policy of continuous product development, product specifications may change without notice. Prospective purchasers should therefore check with their retailer to ensure this publication correctly describes the products that are being offered for sale. All information supplied is to be used for general reference purposes only and is on the understanding that Electrolux Home Products Pty Ltd (Australia) and Electrolux (NZ) Ltd (New Zealand) will not be liable for any loss, liability or damage of whatever kind arising as a result of reliance on such information. Colours of products illustrated are as close as printing limitations allow. Electrolux will at all times comply with its obligations pursuant to law including Trade Practices (Australian Consumer Law) Act and Regulations.

### WARRANTY

Electrolux Home Products warrants that for domestic applications the AEG appliances featured are free from defects in materials and workmanship for 5 years (3 months warranty for commercial applications). All warranties are subject to the conditions set out in the warranty card accompanying the product when purchased.

#### ELECTROLUX HOME PRODUCTS AUSTRALIA

telephone: 1300 363 664

fax: 1800 350 067

email: [customercare@aegaustralia.com.au](mailto:customercare@aegaustralia.com.au)

web: [www.aeg.com/au](http://www.aeg.com/au)

#### ELECTROLUX HOME PRODUCTS NEW ZEALAND

telephone: 0800 10 66 10

fax: 09 573 2221

email: [customercare@electrolux.co.nz](mailto:customercare@electrolux.co.nz)

web: [www.aeg.com/au](http://www.aeg.com/au)