

45cm CombiQuick Combi Microwave Oven



Product Details

FEATURES

IsoFront™ - A genuine cooler door	Anti-fingerprint stainless steel	Touch on glass controls Touch on glass controls for ease of use & cleaning	Quick start function
Function control lock	Automatic weight defrost program	Automatic weight cook program	Active display control
One touch cook program	Cook to perfection		

BENEFITS

All the taste, in half the time
 The CombiQuick oven is the faster way to exceptional flavours and exciting dishes, combining hot air fan cooking with the speed of a microwave to give you the mouth-watering finish and textures of a conventional oven in one compact space. From now on, time is no longer an obstacle to taste.

Multi-function Oven
 This multi-function oven offers both fan forced and conventional cooking options, so you can get the best results from whatever youre cooking.

Automatic weight defrost program
 The total defrost time is automatically calculated by allocating variable defrost power levels at each stage of the defrost cycle.

Quick Start
 By pressing the start button you can activate the 30 seconds program and get 30 seconds of cooking at a high power level.

Specifications

PRODUCT PROFILE

Domestic warranty details (yrs)	5
---------------------------------	---

Type of Microwave	combination microwave
-------------------	-----------------------

PROGRAMS

PROGRAM OPTIONS

Number of Programmed functions	19
--------------------------------	----

Auto cook programs	Yes
--------------------	-----

Auto cook from frozen programs	Yes
--------------------------------	-----

Auto weight defrosting programs	Yes
---------------------------------	-----

Auto weight programs	Yes
----------------------	-----

Auto weight combination programs	Yes
----------------------------------	-----

DIMENSIONS

PRODUCT

Total height (mm)	455
-------------------	-----

Total width (mm)	594
------------------	-----

Total depth (mm)	567
------------------	-----

TRIM

Trim height (mm)	450
------------------	-----

Trim width (mm)	560
-----------------	-----

Trim depth (mm)	550
-----------------	-----

CONTROLS

Controls	ProSight touch control
Display	LED
Memory function	Yes
Child safety	Yes
Number of power levels	10

EXTERIOR

Type	built in
Fascia material/Colour	anti fingerprint stainless steel

POWER

Power Connection	hardwire
Microwave power watts	3000
Variable power level	10
Grill power watts	1900

TIMER

Type of timer	fully programmable timer
Timer functions	acoustic signal,duration,minute minder,time of day,end,extra time,auto off

INTERIOR

Grill	radiant
-------	---------

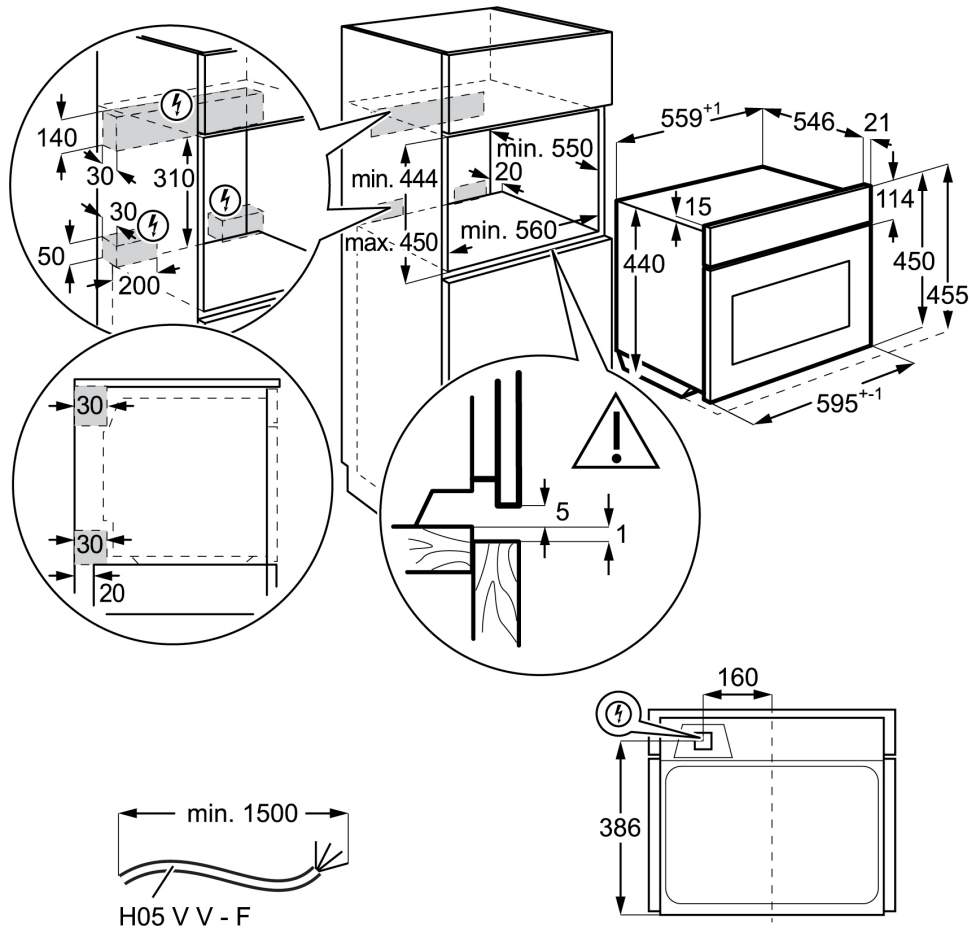
SHIPPING

Shipping Volume (m3)	0.236
Shipping Weight (Kg)	41.8
Pack Dimensions Height (mm)	555
Pack Dimension Width (mm)	635

SHIPPING

Pack Dimension Depth (mm)	670
------------------------------	-----

Dimensions



IMPORTANT

These dimensions are a guide only. All measurements are in millimetres (mm).
 For complete installation instructions, refer to the manual provided with product.

Terms and Conditions

IMPORTANT

This is a guide of product dimensions only. For complete installation instructions, refer to the manual provided with product.

PRODUCT INFORMATION

The descriptors and illustrations in this publication apply to the specific products and models described as at the date of issue. Under our policy of continuous product development, product specifications may change without notice. Prospective purchasers should therefore check with their retailer to ensure this publication correctly describes the products that are being offered for sale. All information supplied is to be used for general reference purposes only and is on the understanding that Electrolux Home Products Pty Ltd (Australia) and Electrolux (NZ) Ltd (New Zealand) will not be liable for any loss, liability or damage of whatever kind arising as a result of reliance on such information. Colours of products illustrated are as close as printing limitations allow. Electrolux will at all times comply with its obligations pursuant to law including Trade Practices (Australian Consumer Law) Act and Regulations.

WARRANTY

Electrolux Home Products warrants that for domestic applications the AEG appliances featured are free from defects in materials and workmanship for 5 years (3 months warranty for commercial applications). All warranties are subject to the conditions set out in the warranty card accompanying the product when purchased.

ELECTROLUX HOME PRODUCTS AUSTRALIA

telephone: 1300 363 664

fax: 1800 350 067

email: customercare@aegaustralia.com.au

web: www.aeg.com/au

ELECTROLUX HOME PRODUCTS NEW ZEALAND

telephone: 0800 10 66 10

fax: 09 573 2221

email: customercare@electrolux.co.nz

web: www.aeg.com/au