

**60cm SteamCrisp multifunction 19 matte black oven with TFT Touchscreen control, PYROLUXE™ self cleaning function, assisted cooking and Food Sensor.**



## Product Details

### FEATURES

SteamCrisp

Pyroluxe Cleaning  
Self-cleaning pyrolytic function turns food residue and grease into ash for easy cleaning.

SenseCook food sensor  
Select your cooking preference, insert the Food Sensor and the oven will do the rest with SenseCook.

Intuitive TFT display  
Full touchscreen TFT display with preset programs and sous-chef like support.

Fan convection system

Fast heat up

AEG Home App

Soft-close doors  
Soft Closing hinges ensure smooth and virtually silent door closure with just a gentle touch.

160 automatic programs

OptiFlex™ telescopic runners

### BENEFITS

#### STEAM. NEXT LEVEL COOKING.

Take your dishes to a new level with SteamCrisp. How? Traditional oven heat is enhanced by the introduction of steam, combining precisely to give your cooking the best of both culinary worlds. Your meat, poultry and vegetables are crisp and golden on the outside, whilst juicy and consistently cooked throughout.

#### CLEAN YOUR OVEN WITH EASE

The self-cleaning pyrolytic function takes all the effort out of keeping your oven clean. The oven is heated to a temperature that makes the grease and food residue turn to ash, which can then simply be wiped away with a damp cloth.

#### SENSECOOK. JUST SENSATIONAL.

Rare. Medium. Well done. At your command with SenseCook. Select how you would like your food cooked, insert the Food Sensor, and your oven will do the rest. Without even opening the oven door, everything from tender joints of meat to molten chocolate fondants are controlled and mastered. At last, an oven that speaks your language.

#### CONTROL AND PRECISION

The responsive touch-screen TFT display gives intuitive access to the different functions of the oven and provides you with direct feedback, ensuring you have full control at your fingertips.

## YOUR BUILT-IN COOKING GUIDE

160 specially designed pre-set recipe programs mean you can select the dish you want to cook and let the oven do the rest.

---

## Specifications

### PRODUCT PROFILE

Domestic warranty details (yrs)	5
Type of Oven	single steam & pyrolytic oven
Oven fuel	electric
Materials/Colour	matte black
Controls of Oven	TFT touchscreen
Cooling fan	Yes

### FLUSH FIT CUT OUT

Flush fit cut out height (mm)	600
Flush fit cut out width (mm)	600
Flush fit cut out depth (mm)	580

### DIMENSIONS

#### PRODUCT DIMENSION

Total height (mm)	594
Total width (mm)	595
Total depth (mm)	567

### MAIN OVEN

Gross capacity litres	77
Useable capacity litres	71
Oven function	multifunction
Number of functions	19

## MAIN OVEN

Oven Functions	pizza,keep warm,plate warming,grill,defrost,conventional cooking,moist fan cooking,true fan cooking,turbo grilling,bread baking,browning/ au gratin,dough proving,frozen foods,preserving,slow cooking,humidity cooking low,steam regenerating,bottom heat
----------------	--

Oven liner	enamel
------------	--------

Timer functions	Cook time,End time,Time of day,24 hour clock,duration,end,Auto off ,minute minder
-----------------	---

Light wattage	65
---------------	----

## ELECTRICAL CONNECTION

Connected load KW	3.5
-------------------	-----

Maximum current rating (amps)	16
-------------------------------	----

Type of connection	hardwired
--------------------	-----------

## OTHER FEATURES

Number of Programmed functions	170
--------------------------------	-----

Auto cook programs	Yes
--------------------	-----

Cleaning	pyrolytic
----------	-----------

Pyrolytic functions	3
---------------------	---

Type of Pyrolytic functions	quick (1hr),normal (1.5hr),intense (3hr)
-----------------------------	--

Door	IsoFront cool door,removable door,drop down,Soft close
------	--

## OTHER FEATURES

Timer	Programmable timer
Lights	2
Light wattage	65
Light position	side and top
Telescopic runners	three
Shelf support	multi position side racks
Number of shelves	2
Safety features	isofront plus quadruple glazed door
Closed door grilling	Yes
Included accessories	wire shelves stainless steel x 2, dripping pan, cake tray, 3 x telescopic runners
Layers of glass in door	4
Number of shelf positions	5
Food probe	Yes

## SHIPPING

**SHIPPING**

---

Shipping Volume (m3)	0.285
----------------------	-------

---

Shipping Weight (Kg)	41.5
----------------------	------

---

Pack Dimensions Height (mm)	670
-----------------------------	-----

---

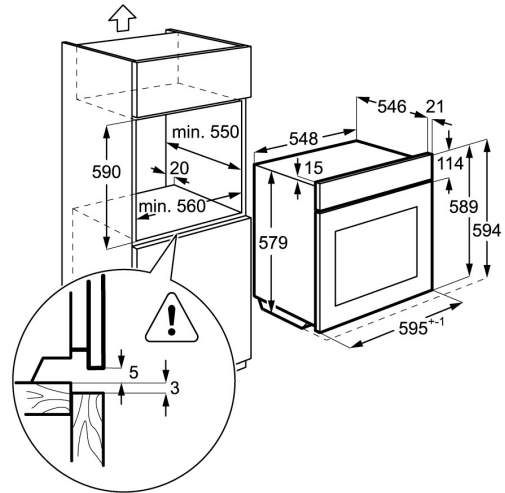
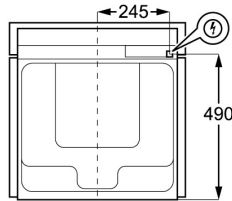
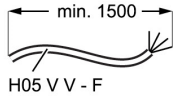
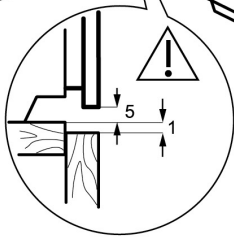
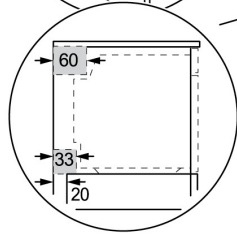
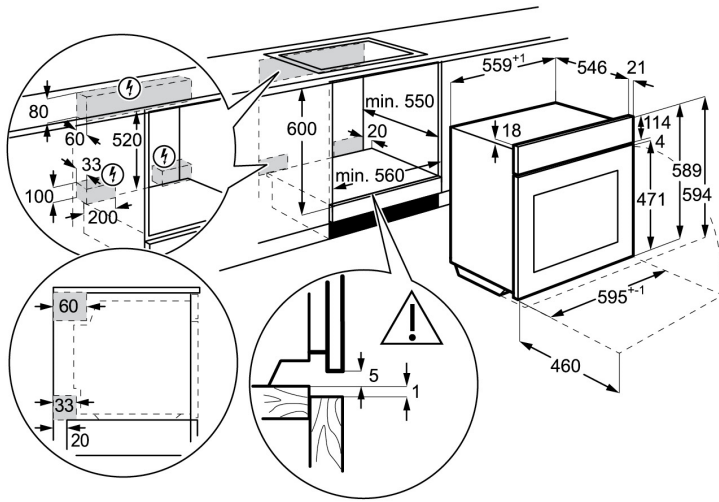
Pack Dimension Width (mm)	635
---------------------------	-----

---

Pack Dimension Depth (mm)	670
---------------------------	-----

---

**Dimensions**



**IMPORTANT**

These dimensions are a guide only. All measurements are in millimetres (mm).  
For complete installation instructions, refer to the manual provided with product.



## Terms and Conditions

### IMPORTANT

This is a guide of product dimensions only. For complete installation instructions, refer to the manual provided with product.

### PRODUCT INFORMATION

The descriptors and illustrations in this publication apply to the specific products and models described as at the date of issue. Under our policy of continuous product development, product specifications may change without notice. Prospective purchasers should therefore check with their retailer to ensure this publication correctly describes the products that are being offered for sale. All information supplied is to be used for general reference purposes only and is on the understanding that Electrolux Home Products Pty Ltd (Australia) and Electrolux (NZ) Ltd (New Zealand) will not be liable for any loss, liability or damage of whatever kind arising as a result of reliance on such information. Colours of products illustrated are as close as printing limitations allow. Electrolux will at all times comply with its obligations pursuant to law including Trade Practices (Australian Consumer Law) Act and Regulations.

### WARRANTY

Electrolux Home Products warrants that for domestic applications the AEG appliances featured are free from defects in materials and workmanship for 5 years (3 months warranty for commercial applications). All warranties are subject to the conditions set out in the warranty card accompanying the product when purchased.

#### ELECTROLUX HOME PRODUCTS AUSTRALIA

telephone: 1300 363 664

fax: 1800 350 067

email: [customercare@aegaustralia.com.au](mailto:customercare@aegaustralia.com.au)

web: [www.aeg.com/au](http://www.aeg.com/au)

#### ELECTROLUX HOME PRODUCTS NEW ZEALAND

telephone: 0800 10 66 10

fax: 09 573 2221

email: [customercare@electrolux.co.nz](mailto:customercare@electrolux.co.nz)

web: [www.aeg.com/au](http://www.aeg.com/au)