

60cm SenseCook multifunction 17 matte black oven with TFT Touchscreen control, PYROLUXE™ self cleaning function, assisted cooking and Food Sensor.



Product Details

FEATURES

Assisted Cooking
Assisted Cooking settings mean you can let your oven know what's cooking so it can handle the rest.

Pyroluxe Cleaning
Self-cleaning pyrolytic function turns food residue and grease into ash for easy cleaning.

SenseCook food sensor
Select your cooking preference, insert the Food Sensor and the oven will do the rest with SenseCook.

Intuitive TFT display
Full touchscreen TFT display with preset programs and sous-chef like support.

Fast heat up

Pyro-proof telescopic runners
Pyro-proof telescopic runners provide easy access and do not need to be removed during cleaning.

AEG Home App

Soft-close doors
Soft Closing hinges ensure smooth and virtually silent door closure with just a gentle touch.

160 automatic programs

BENEFITS

MEET YOUR PERSONAL CHEF

Assisted Cooking is your at-home sous chef. Scroll through menus to select a food category and the oven will generate the correct settings for the dish. You can even choose how you would like meats sealed and for added safety the oven will automatically power down after cooking.

CLEAN YOUR OVEN WITH EASE

The self-cleaning pyrolytic function takes all the effort out of keeping your oven clean. The oven is heated to a temperature that makes the grease and food residue turn to ash, which can then simply be wiped away with a damp cloth.

SENSECOOK. JUST SENSATIONAL.

Rare. Medium. Well done. At your command with SenseCook. Select how you would like your food cooked, insert the Food Sensor, and your oven will do the rest. Without even opening the oven door, everything from tender joints of meat to molten chocolate fondants are controlled and mastered. At last, an oven that speaks your language.

CONTROL AND PRECISION

The responsive touch-screen TFT display gives intuitive access to the different functions of the oven and provides you with direct feedback, ensuring you have full control at your fingertips.

EASY ACCESS. PYRO-SAFE.

Adjustable pyro-proof telescopic runners provide easy access to dishes during the cooking process. Conveniently, they are also pyro-safe, so do not need to be removed during the pyrolytic cleaning process like conventional telescopic runner systems.

YOUR BUILT-IN COOKING GUIDE

160 specially designed pre-set recipe programs mean you can select the dish you want to cook and let the oven do the rest.

Specifications

PRODUCT PROFILE

Domestic warranty details (yrs)	5
Type of Oven	single pyrolytic oven
Oven fuel	electric
Materials/Colour	matte black
Controls of Oven	TFT touchscreen
Cooling fan	Yes

FLUSH FIT CUT OUT

Flush fit cut out height (mm)	600
Flush fit cut out width (mm)	600
Flush fit cut out depth (mm)	580

DIMENSIONS

PRODUCT DIMENSION

Total height (mm)	594
Total width (mm)	595
Total depth (mm)	567

MAIN OVEN

Gross capacity litres	77
Useable capacity litres	71
Oven function	multifunction
Number of functions	17

MAIN OVEN

Oven Functions	pizza,grill,keep warm,defrost,bottom heat,true fan cooking,turbo grilling,bread baking,browning/ au gratin,conventional cooking/traditional cooking,dough proving,frozen foods,moist fan baking,plate warming,preserving,slow cooking,Dehydrating
Oven liner	enamel
Timer functions	duration,end,Auto off ,Cook time,End time,Time of day,24 hour clock
Light wattage	65

ELECTRICAL CONNECTION

Connected load KW	3.5
Maximum current rating (amps)	16
Type of connection	hardwired

OTHER FEATURES

Auto cook programs	Yes
Auto weight programs	Yes
Cleaning	pyrolytic
Pyrolytic functions	3
Type of Pyrolytic functions	quick (1hr),normal (1.5hr),intense (3hr)
Door	removable door,drop down,IsoFront cool door,Soft close

OTHER FEATURES

Timer	Programmable timer
Lights	2
Light wattage	65
Light position	side and top
Telescopic runners	two
Shelf support	multi position side racks
Number of shelves	2
Safety features	isofront plus quadruple glazed door
Closed door grilling	Yes
Included accessories	2 x chromed wire shelf, dripping pan, cake tray, 2 x telescopic runners, pyro proof, wire grill insert, 1 x side racks, pyro proof
Layers of glass in door	4
Number of shelf positions	5
Food probe	Yes

SHIPPING

SHIPPING

Shipping Volume (m3)	0.285
----------------------	-------

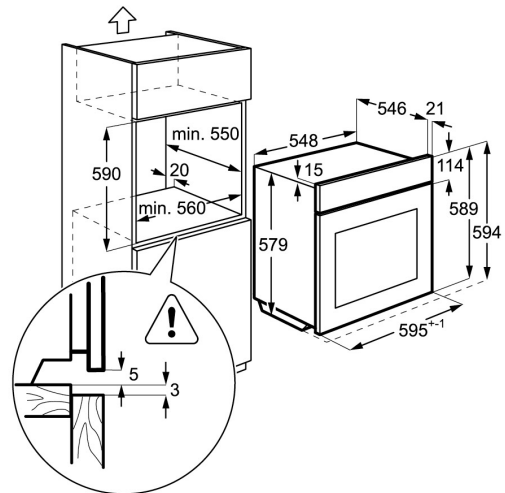
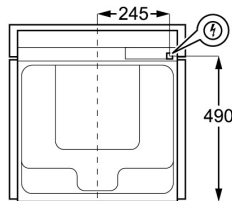
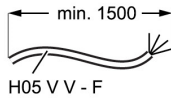
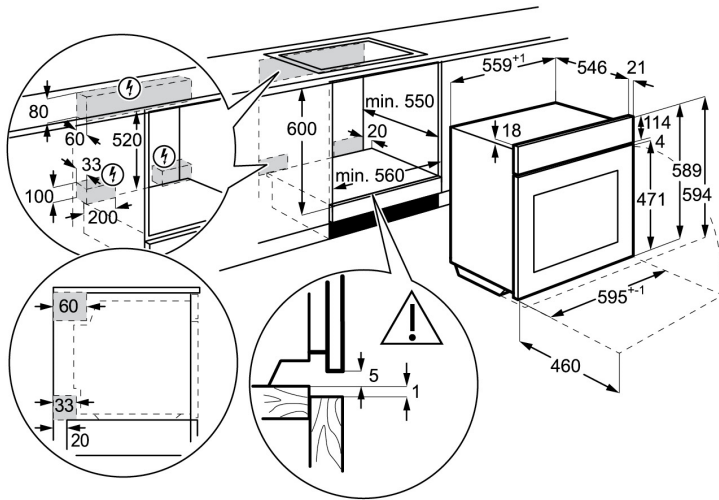
Shipping Weight (Kg)	35.5
----------------------	------

Pack Dimensions Height (mm)	670
-----------------------------	-----

Pack Dimension Width (mm)	635
---------------------------	-----

Pack Dimension Depth (mm)	670
---------------------------	-----

Dimensions



IMPORTANT

These dimensions are a guide only. All measurements are in millimetres (mm).
For complete installation instructions, refer to the manual provided with product.

Terms and Conditions

IMPORTANT

This is a guide of product dimensions only. For complete installation instructions, refer to the manual provided with product.

PRODUCT INFORMATION

The descriptors and illustrations in this publication apply to the specific products and models described as at the date of issue. Under our policy of continuous product development, product specifications may change without notice. Prospective purchasers should therefore check with their retailer to ensure this publication correctly describes the products that are being offered for sale. All information supplied is to be used for general reference purposes only and is on the understanding that Electrolux Home Products Pty Ltd (Australia) and Electrolux (NZ) Ltd (New Zealand) will not be liable for any loss, liability or damage of whatever kind arising as a result of reliance on such information. Colours of products illustrated are as close as printing limitations allow. Electrolux will at all times comply with its obligations pursuant to law including Trade Practices (Australian Consumer Law) Act and Regulations.

WARRANTY

Electrolux Home Products warrants that for domestic applications the AEG appliances featured are free from defects in materials and workmanship for 5 years (3 months warranty for commercial applications). All warranties are subject to the conditions set out in the warranty card accompanying the product when purchased.

ELECTROLUX HOME PRODUCTS AUSTRALIA

telephone: 1300 363 664

fax: 1800 350 067

email: customercare@aegaustralia.com.au

web: www.aeg.com/au

ELECTROLUX HOME PRODUCTS NEW ZEALAND

telephone: 0800 10 66 10

fax: 09 573 2221

email: customercare@electrolux.co.nz

web: www.aeg.com/au