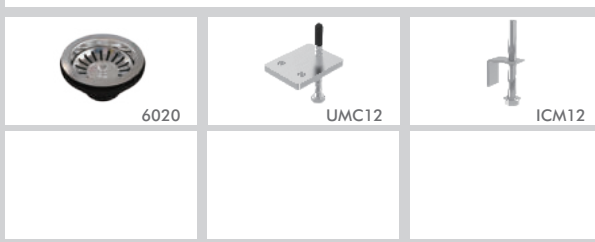




Model Code: ST340DU

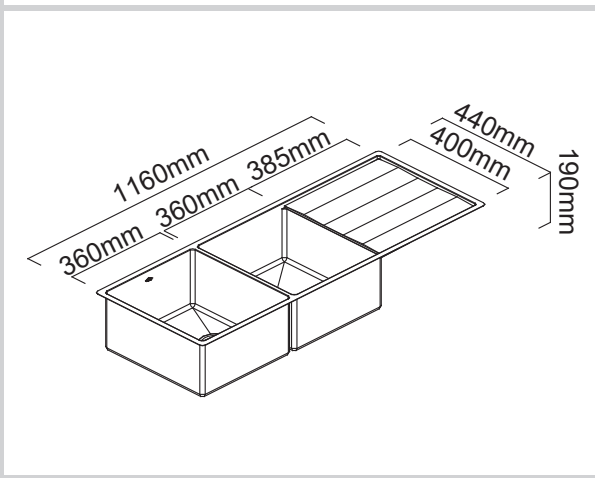
Included Accessories



Optional Accessories



Dimensions



Specifications

| | |
|-------------------|--|
| Description | Double bowl sink with drainer |
| Overall Sink Size | 1160mm x 440mm x 190mm deep |
| Bowl Dimensions | 360mm x 400mm x 190mm deep 360mm x 400mm x 190mm deep |
| Drainer Length | 385mm |
| Technic | Fabrication |
| Material | Stainless steel SUS304 |

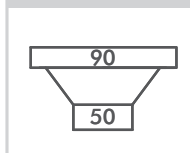
Installation

| | |
|------------------|---|
| Fixings | Undermount and Inset clips supplied |
| Template | N/A |
| Min Cabinet Size | 800mm |
| Waste Holes | 2 x 90mm square Compatible with waste disposal |

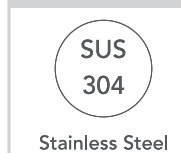
SURFACE FINISH



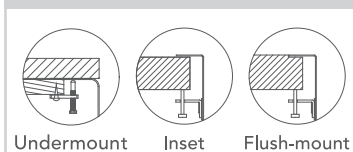
WASTE KIT



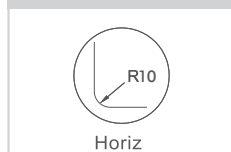
MATERIAL



INSTALLATION OPTIONS



PROFILE



Plumbing

| | |
|----------------|--|
| Waste Fittings | 2 x (90mm x 2") basket wastes included |
| Overflow | N/A |

Packaging

| | |
|--------------|------------------------------------|
| Carton Type | EPS protection & individual carton |
| Gross Weight | 12.95Kg |
| Carton Size | 1240mm x 290mm x 535mm |
| Pack QTY | 1 |

Abey are Australia's leaders in sinkware, designing and manufacturing to the world's highest quality specifications as well as sourcing and bringing you Europe's very best, leading edge designs – practical, affordable, inspirational, stylish, timeless or cutting edge. When you buy an Abey stainless steel sink you receive the highest quality and a 25 year warranty. Abey and the manufacturer are continually seeking ways to improve the design specifications, aesthetic and production techniques of the products. As a result, alterations to the specifications and dimensions of the products and designs occur continually.